

Liberty Stair Lift

Installation Guide



AmeriGlide
ACCESSIBILITY SOLUTIONS



Table of Contents

Disclaimer	3
01. Pre-Installation	4
1.1 Unbox and Check Contents	5
02. Rail Assembly	6
2.1 Measure Rail Length (Required)	7
2.2 Cutting the Rail	8
2.3 Install Rail Supports	9
2.4 Joining the Rails	10
2.5 Position the Rails on the Stairs	11
2.6 Fix the Rails to the Stairs	12
03. Carriage Assembly	13
3.1 Slide Carriage onto the Rail	14
3.2 Install the Footrest	15
3.3 Install the Chair	17
3.4 Test the Chair	20
04. Gear Rack Assembly	22
4.1 Cut the Top Gear Rack Section	23
4.2 Installing the Gear Rack	24
4.3 Installing the End-Plate	25
05. Charger Assembly	26
5.1 Install the Top Charger	27
5.2 Install the End-Plate	28

Thank You for Choosing the Liberty Stair Lift.

We appreciate your decision to purchase the Liberty Stair Lift. This document contains important information on how to properly install your new stair lift.

This stair lift installation manual has been written to provide clear and precise instructions for proper installation procedures for Liberty stair lifts. Any alterations to the equipment without written authorization by the manufacturer may void the warranty. AmeriGlide lifts are designed to install with as little assembly by the installer as possible. If you have questions, concerns or comments, please contact AmeriGlide's Technical Service Department at 1-866-378-6648.

.01

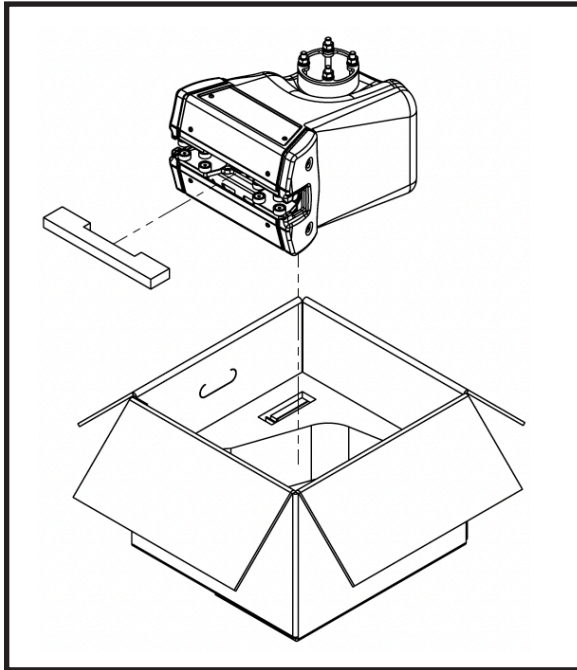
Pre-Installation

Tools Needed for Installation:

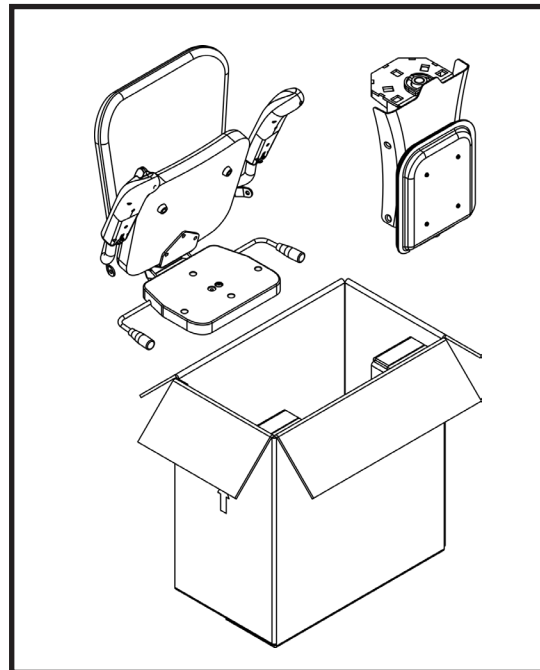
- Protective Eye Wear
- Gloves
- Chop Saw
- 4mm Allen Key
- 8mm Allen Key
- Drill
- S1 Square Bit
- 19mm Wrench
- Hammer
- Square Head Screwdriver
- Flathead Screwdriver
- Philips Head Screwdriver
- Tape Measure
- Small Level

1.1 Unbox and Check Contents

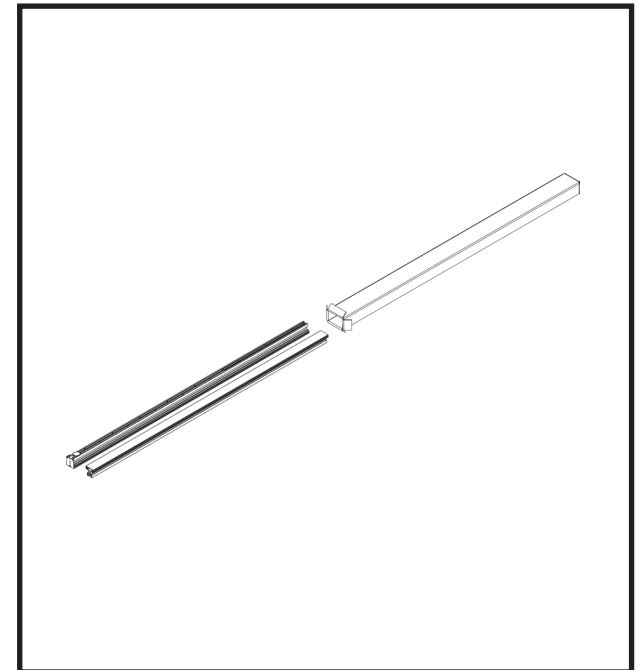
You will receive 3 boxes. Please check that all contents are present before starting installation.



- Carriage Unit
- 2x - Remotes
- Grease Tube



- 1x - Seat
- 1x - Footrest
- 1x - Seat Pivot Bearing
- 1x - Seat Pivot Clip
- 1x - Seat Pivot Screw
- 4x - Leg Support
- 1x - Power Supply
- 1x - Power Supply Wall Cable
- 1x - Upper Charger



- Bottom Rail Section
- Top Rail Section
- Bottom Charger (already on the rail)
- 2x - Gear Rack & Screws
- 1x - Press-fit Plug + 2 x M6 Screws
- 1x - Joining Kit
- Rail Support Screws

.02

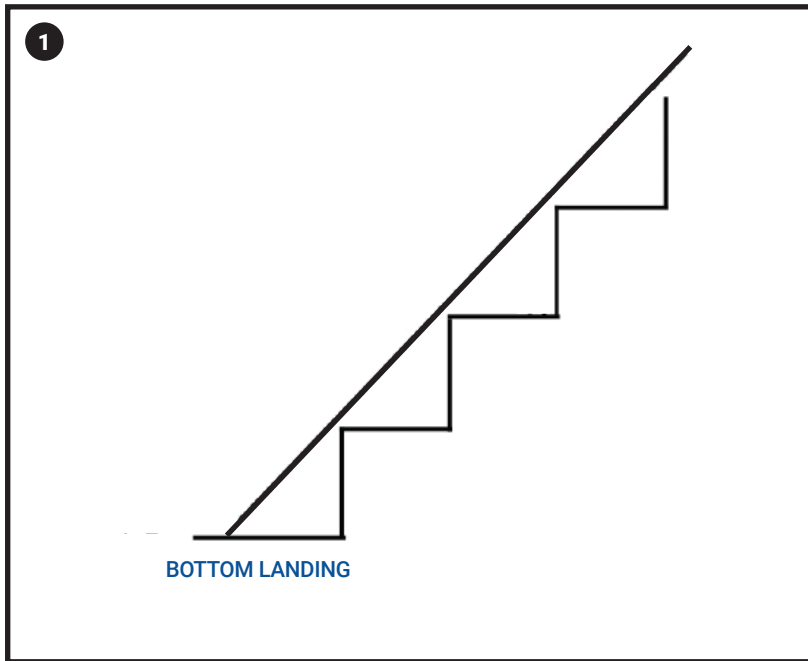
Rail Assembly

Tools Needed:

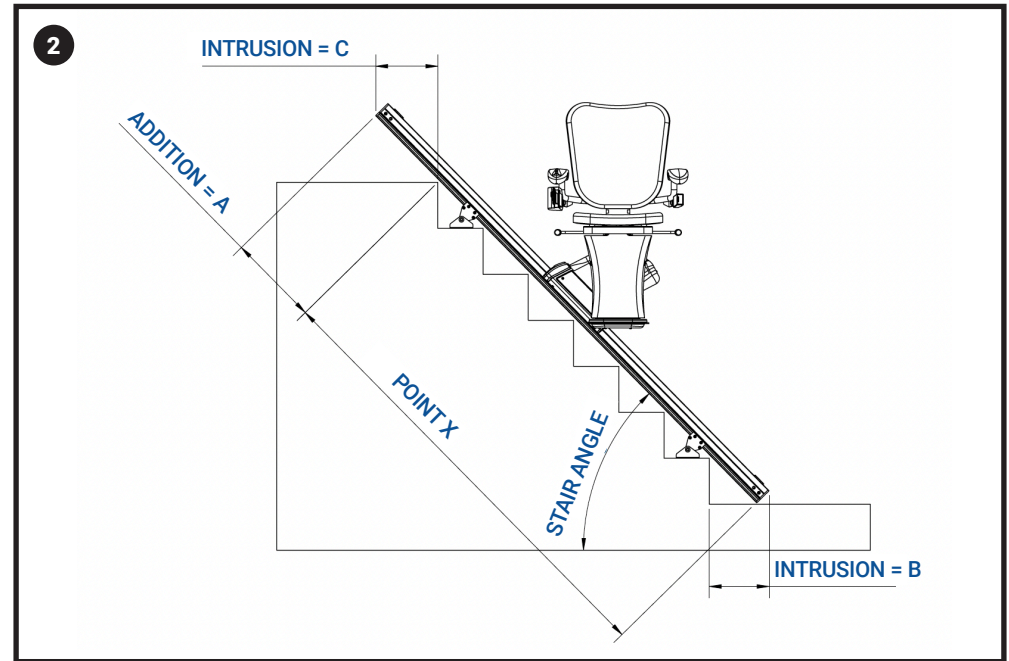
- Chop Saw
- Square Head Screwdriver
- 4mm Allen Key
- 8mm Allen Key
- Drill
- S1 Square Bit
- S2 Square Bit
- Tape Measure

2.1 Measure Rail Length (Required)

TOOLS NEEDED: Tape Measure



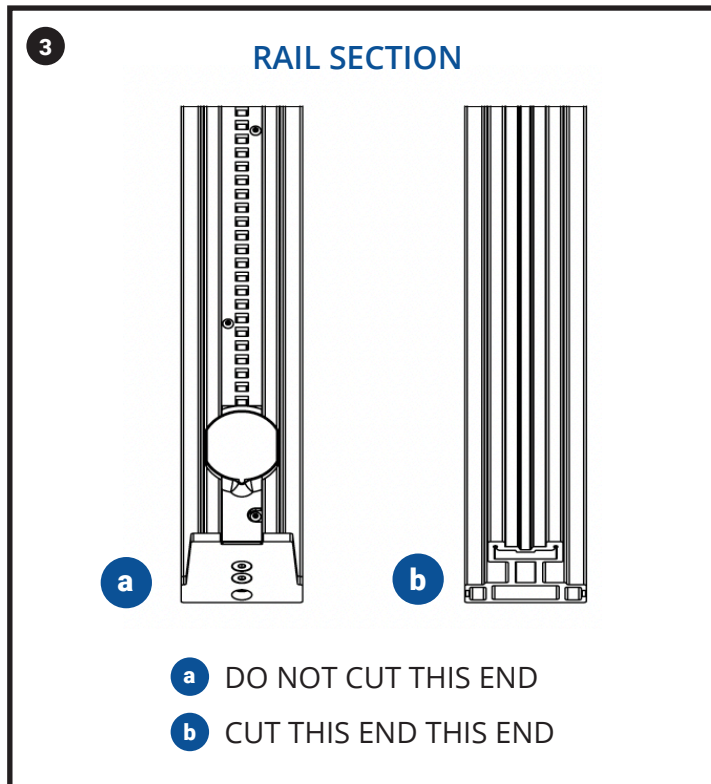
Measure the Overall Length: Stand at the top of your stairs. Extend your tape measure so it lays flat along all the stair treads and touches the bottom landing. Record this measurement.



Add 12 inches: Add 12" to your overall stair length measurement.

2.2 Cutting the Rail

TOOLS NEEDED: Chop Saw, Square Head Screwdriver, Tape Measure



- 4** Remove the wires (if needed):
- Unscrew the white end plate.
 - Unclip the black charger connector.
 - Carefully pull the wires out from the rail.
- 5** After cutting the rails, install rails as before:
- Feed the wires back inside the rail.
 - Reattach and screw back the white end plate.
 - Clip the bottom charger connector back.

Determine if Cutting is Needed:

- If the total is more than 94": Cut the rail section without the gear rack.
- If the total is less than 94": You must first remove the gear rack and remove the wires from inside the rail before cutting.

2.3 Install Rail Supports

TOOLS NEEDED: 4mm Allen Key

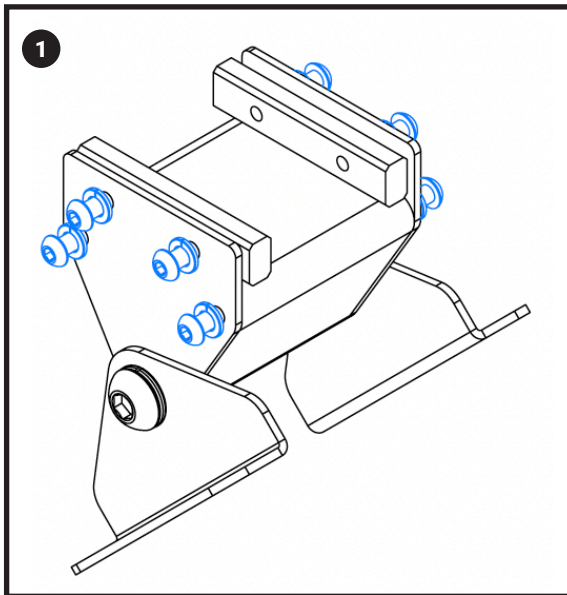
Loosen the screws on each rail support — 4 x 4mm screws per side, 8 total.



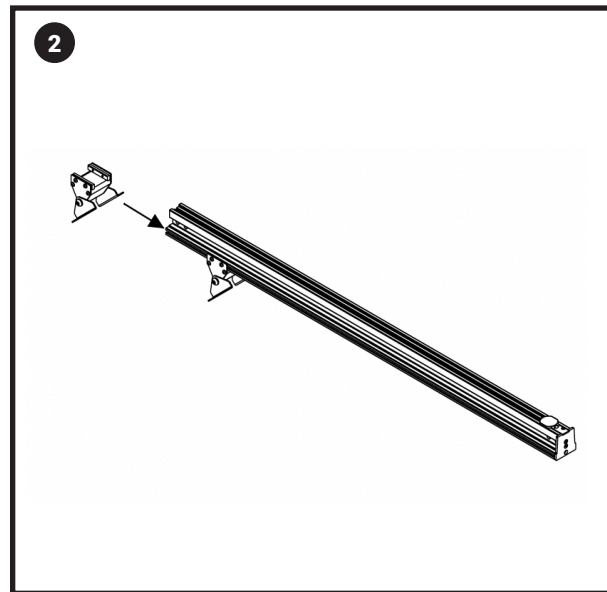
Scan to watch!

Rail Supports
(40 seconds)

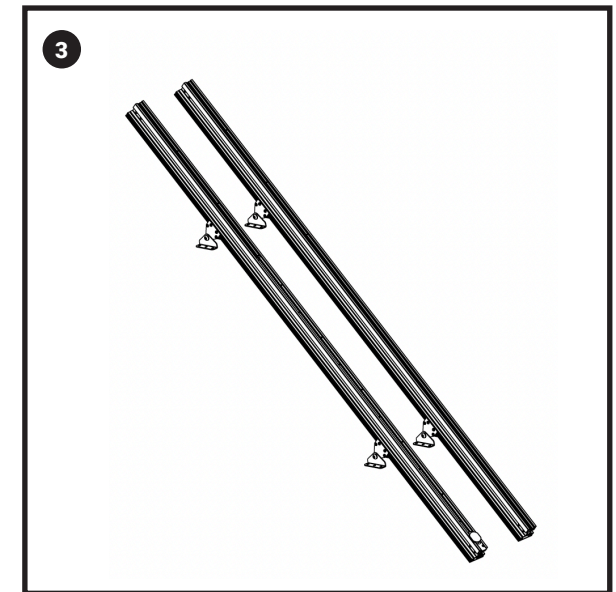
more videos can be found at [youtube.com/AmeriGlide](https://www.youtube.com/AmeriGlide)



TIP: Loosen them as much as possible to make sliding the supports into the rail easier.



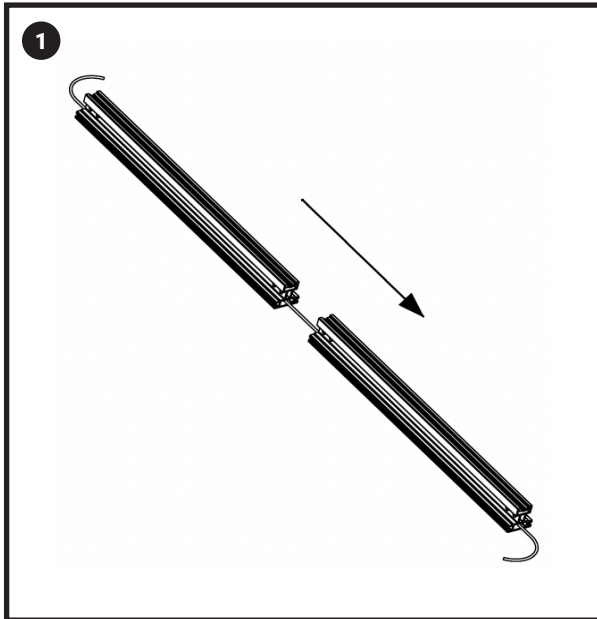
Apply a small amount of grease to the ends of the two skates that will slide into the rail.



Insert 2 rail supports into each rail section by sliding them in carefully.

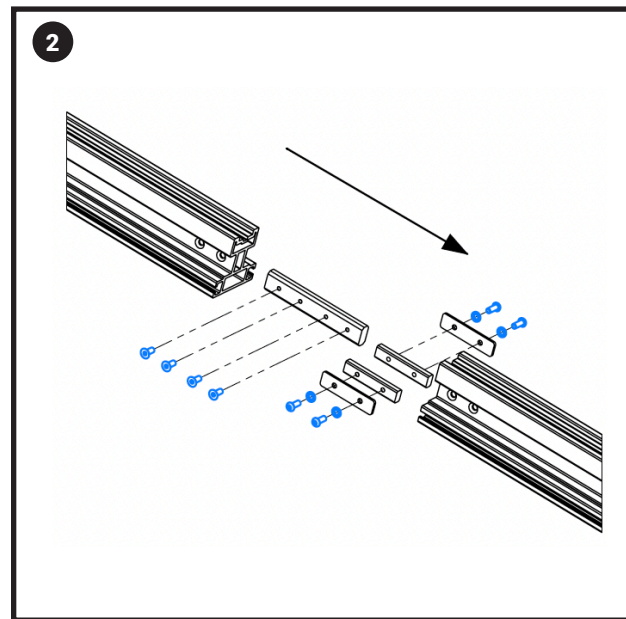
2.4 Joining the Rails

TOOLS NEEDED: 4mm Allen Key



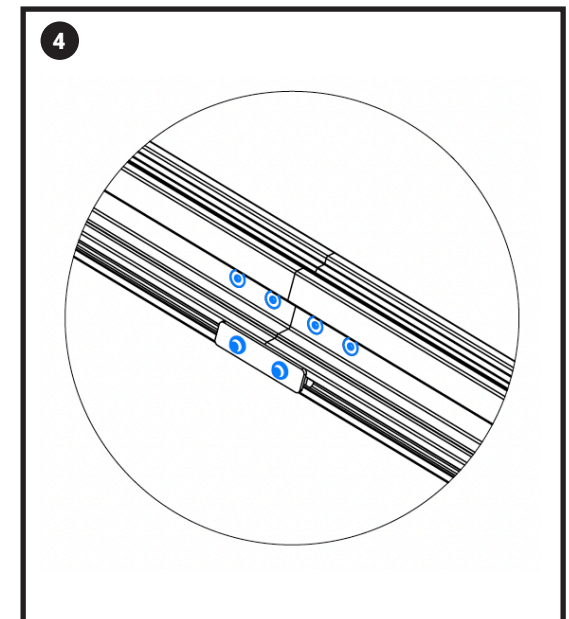
Feed the wire through both rail sections before connecting them.

CAREFUL: Make sure to run the Female connector at the end you want to plug your charger into.



Insert the small side brackets into each rail section and secure with one screw per side to hold them in place.

3 Insert the center bracket and fasten it using two screws on one side only.



Align and join the rail sections together, then install the remaining screws on the opposite side to fully secure the connection.

2.5 Position the Rails on the Stairs

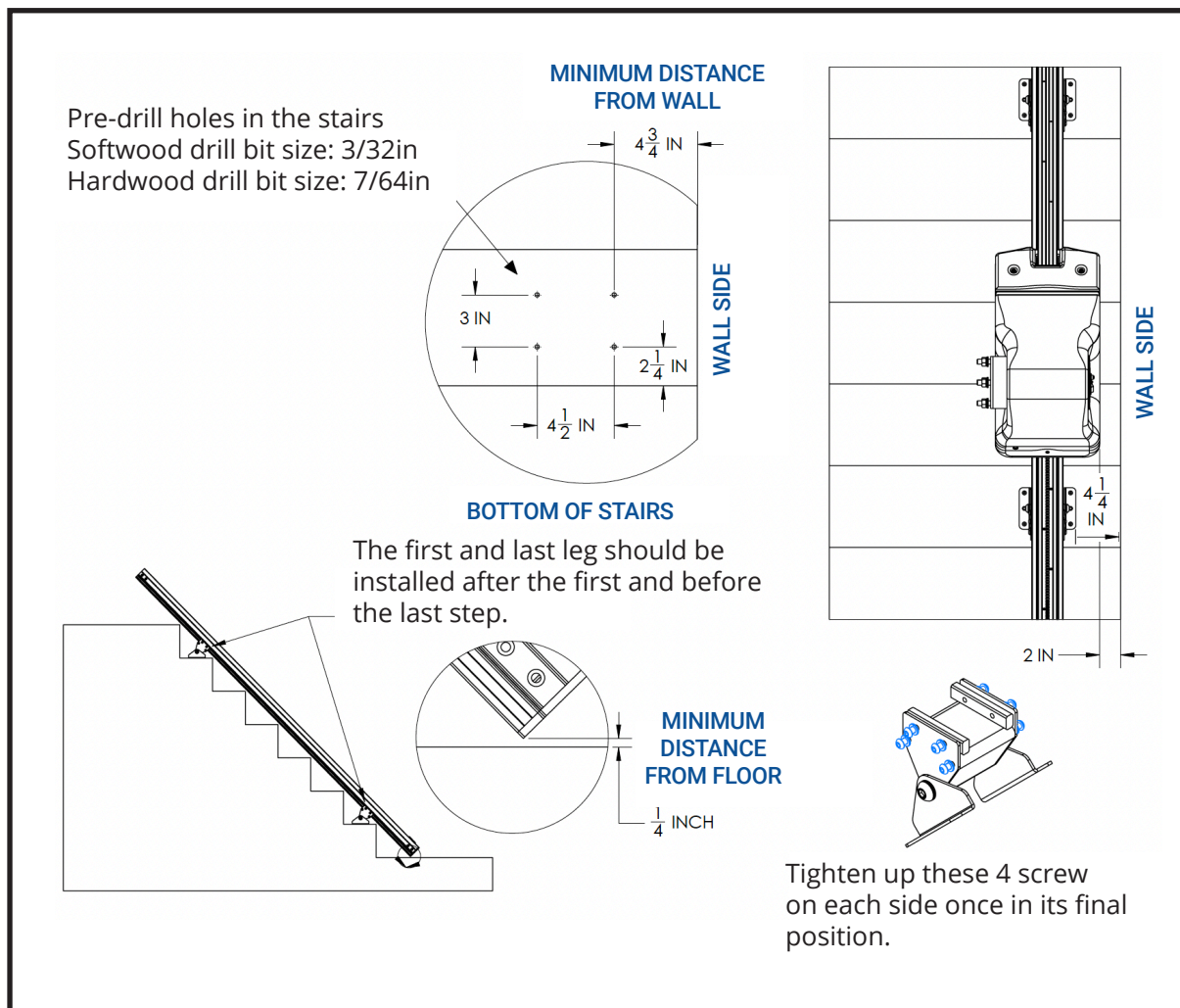
TOOLS NEEDED: Drill, S2 Square Bit, 4mm and 8mm Allen Keys



Scan to watch!

Positioning the Rails on the Stairs
(1:10 minute)

more videos can be found at [youtube.com/AmeriGlide](https://www.youtube.com/AmeriGlide)



- 1 **Position the Rail Supports:**
Slide the four rail supports along the rail so that one sits on the first step, one on the last step, and the remaining two supports are spaced evenly in between.

- **Bottom Clearance:** Ensure there is a 1/4 inch minimum clearance between the bottom of each support and the stair tread.
- **Wall Clearance:** Maintain a 4 1/4 inch minimum distance from the wall to the outer edge of the rail support on each side.
- **Stair Nose Clearance:** There must be at least 1 1/2 inches of clearance between the bottom of the rail and the stair nose at every step.

2.6 Fix the Rails to the Stairs

TOOLS NEEDED: Drill, S1 Square Bit, 4mm and 8mm Allen Keys

- 1 (Optional) For hardwood, tile, or concrete stairs, it's recommended to pre-drill the mounting holes.
 - Align the supports in their final position.
 - Use a pencil to mark the holes through the support base.
 - Remove the support and pre-drill the holes.
 - Drill bit size: 3/32" for softwood, 7/64" for hardwood.

- 2 Screw rail supports
 - 4 x #10 – 2" wood screws per support (2 each side – even though there are 6 holes)

- 3 **Final Tightening of Rail Supports:** Ensure all 10 screws on each rail support are securely tightened.
 - 4 small screws on each side (8 total)
 - 1 large screw on each side (2 total)

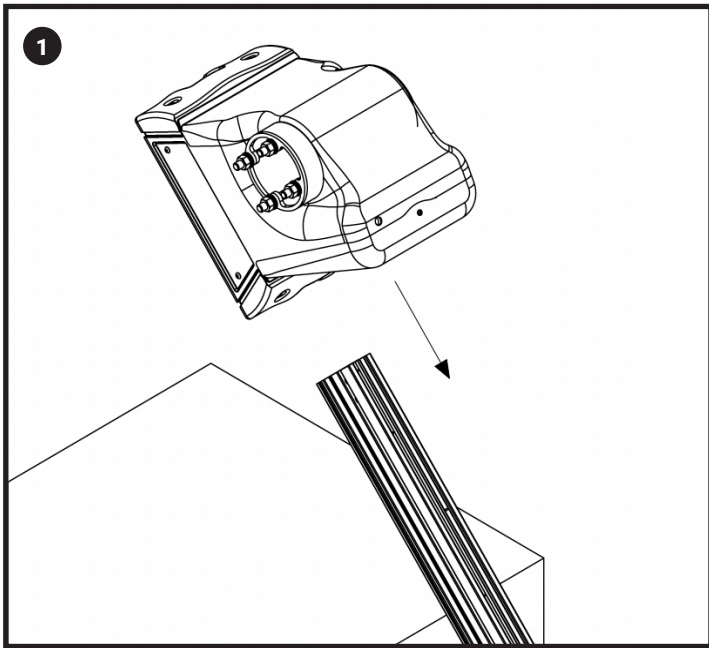
.03

Carriage Assembly

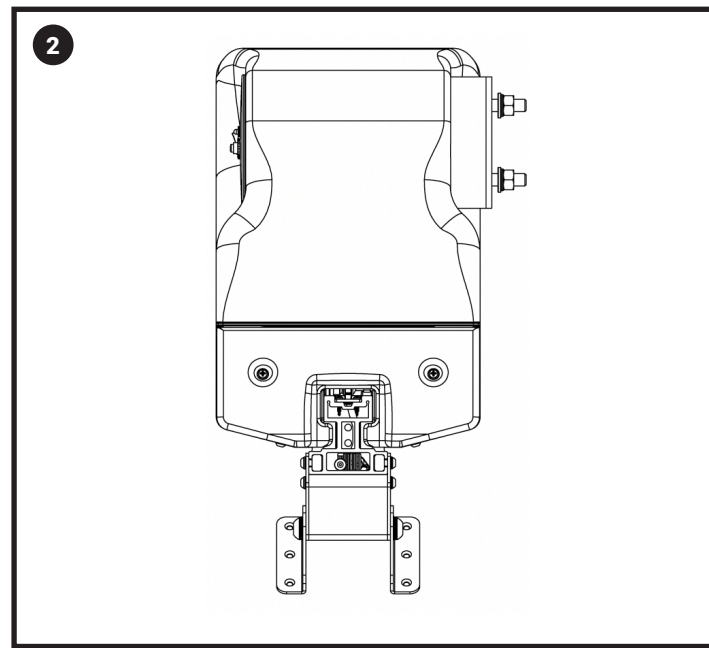
Tools Needed:

- 4mm Allen Key
- 19mm Wrench
- Hammer
- Flat-Head Screwdriver
- Philips Head Screwdriver

3.1 Slide Carriage onto the Rail



Carefully lower the carriage onto the rail section without gear rack.



Slowly slide it down until it reaches the gear rack at the bottom.

Scan to watch!

Mounting the
Carriage To Rail
(45 seconds)

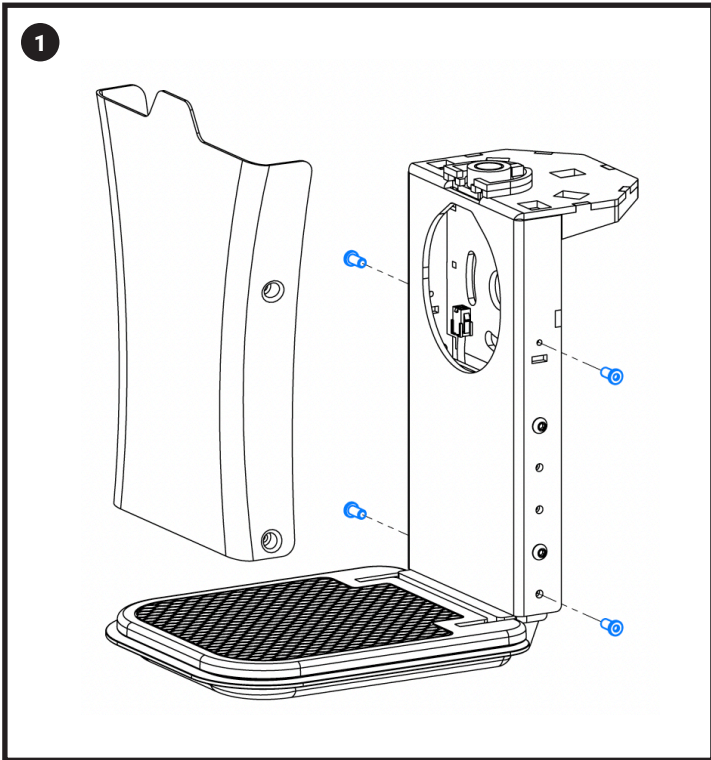


more videos can be found at
youtube.com/AmeriGlide

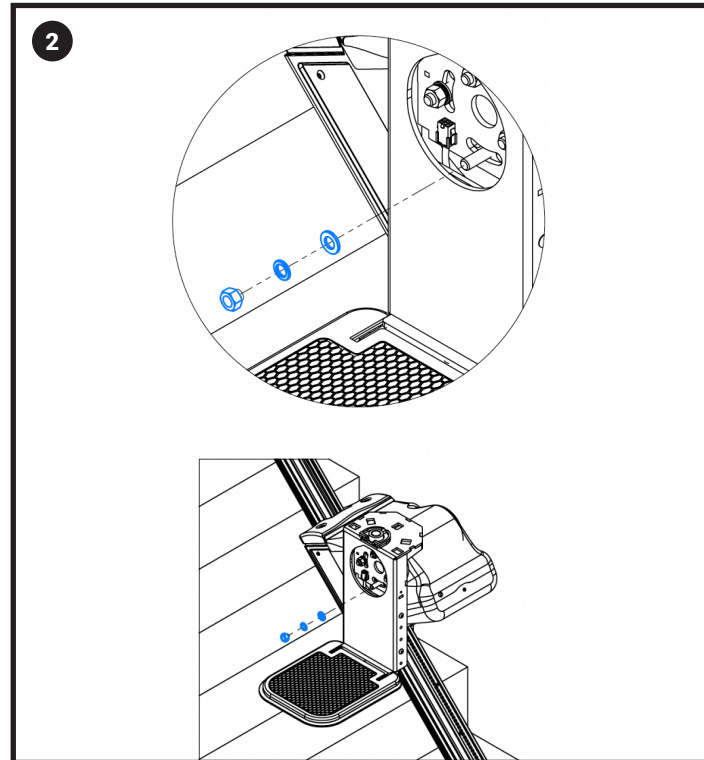
- CAUTION:**
- The wheels are not pre-screwed in place — sliding too quickly may cause them to fall off and can be difficult to reinstall.
 - If you move the carriage too fast, the emergency brake (OSG) may trigger and leave marks on the rail.
 - Do not press the top or bottom bumpers (obstacle sensors) while sliding the carriage, as this will activate the brakes.

3.2 Install the Footrest

TOOLS NEEDED: 4mm Allen Key, 19mm Deep-Socket



Remove the footrest cover to access the mounting holes (2 x 4 mm screws on each side).



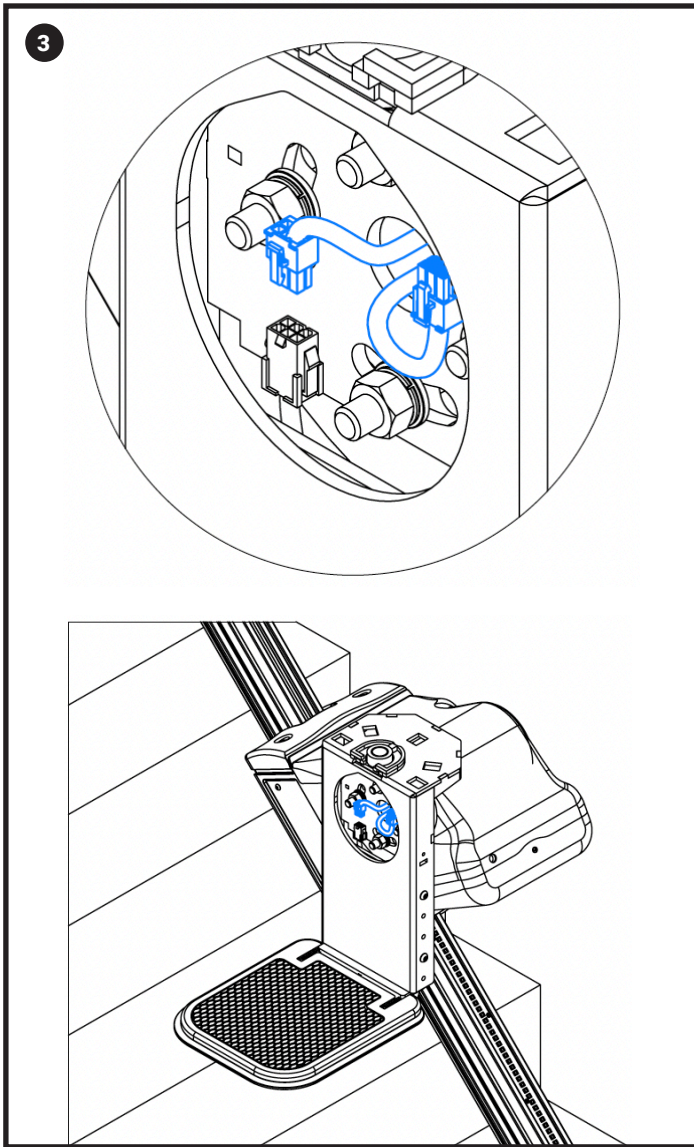
Mount the footrest onto the carriage. Ensure it is properly leveled, then tighten the 4 x 19mm nuts securely.

Scan to watch!

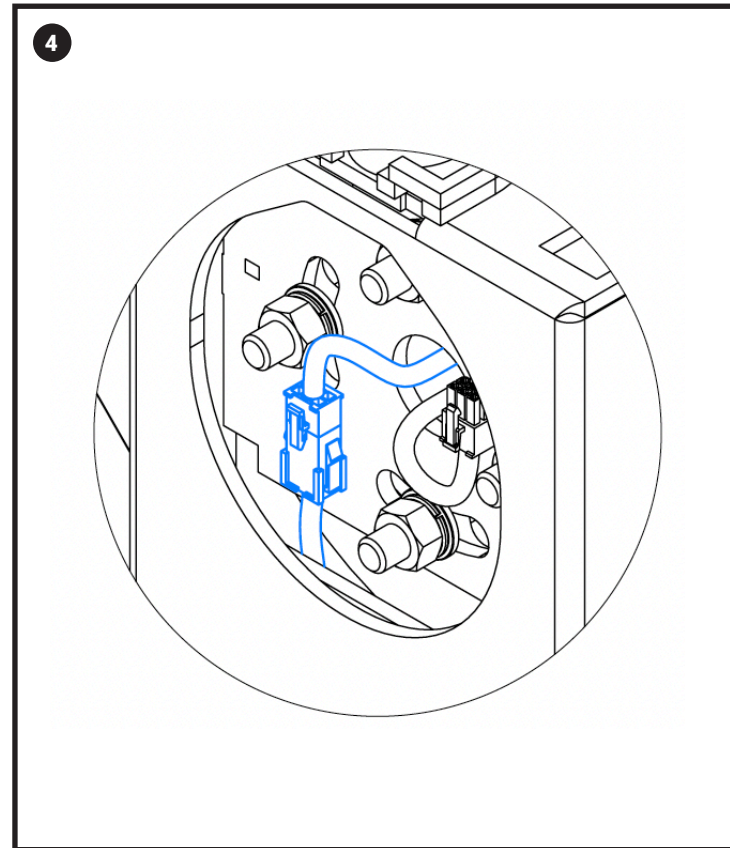
Installing the
Footrest
(30 seconds)



more videos can be found at
[youtube.com/AmeriGlide](https://www.youtube.com/AmeriGlide)



Fish out the two connectors from the carriage through the center hole under the seat.



Connect the "3R" or "3L" plug from the carriage to the footrest connector.

Use "3R" for a Right-Hand (RH) carriage, and "3L" for a Left-Hand (LH) carriage.

Scan to watch!

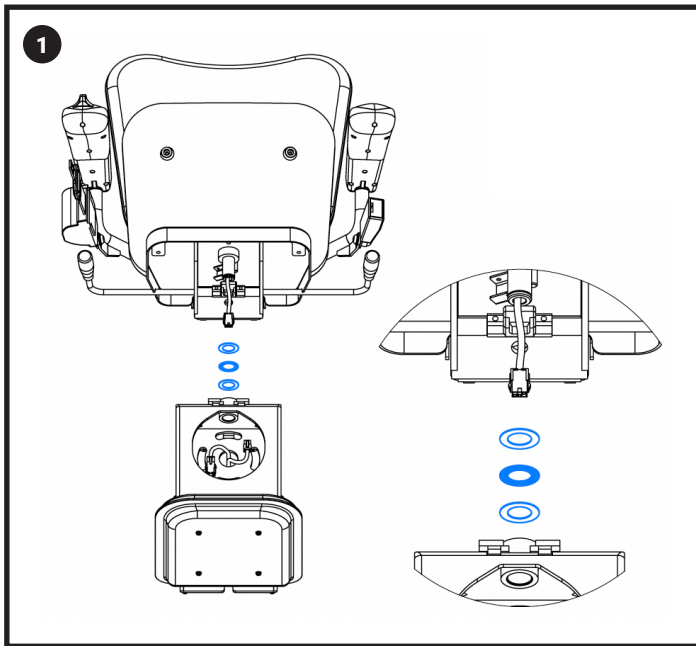
Footrest Electrical
Connections
(30 seconds)



more videos can be found at
youtube.com/AmeriGlide

3.3 Install the Chair

TOOLS NEEDED: Hammer, Flat-Head and Philips Screwdrivers



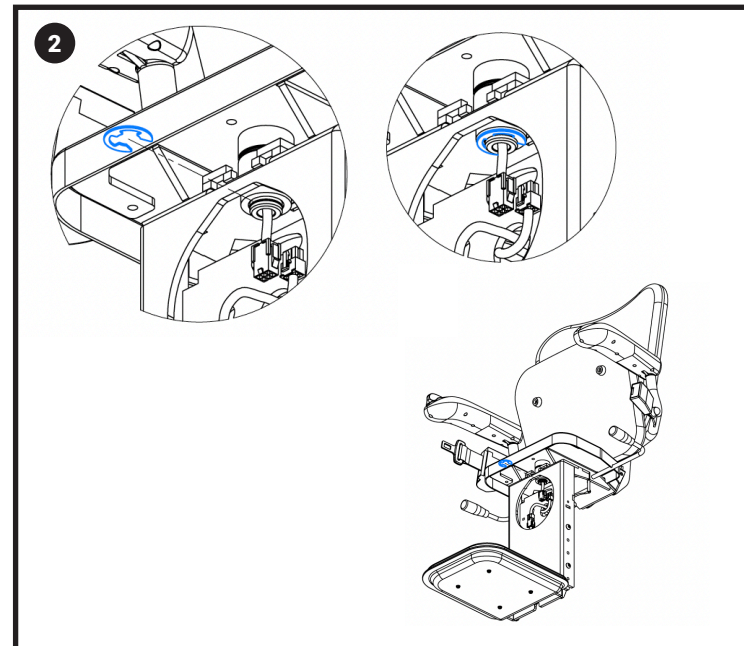
Feed the chair wire and connector through the bearing and pivot located at the top of the footrest.



Scan to watch!

Attaching the Seat
(1:10 minute)

more videos can be found at [youtube.com/AmeriGlide](https://www.youtube.com/AmeriGlide)



Install the retaining clip to secure the seat in place.

- Use a hammer and flat-head screwdriver to gently push the clip into position.

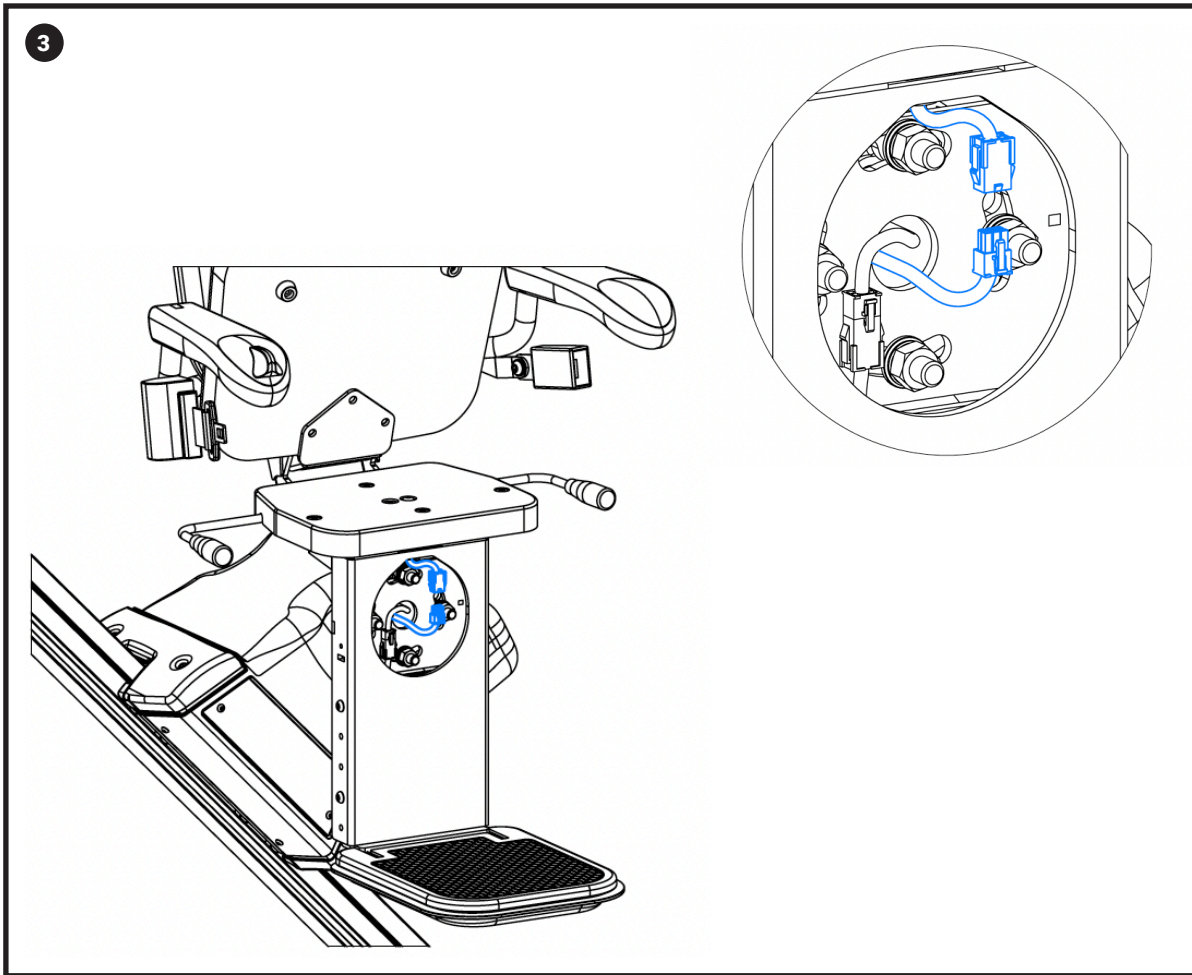
NOTE: Use safety goggles when doing this step. The clip can pop out of place if installed incorrectly.

Scan to watch!

Installing the Retaining Clip
(30 seconds)



more videos can be found at
[youtube.com/AmeriGlide](https://www.youtube.com/AmeriGlide)



Scan to watch!

**Making the Seat
Electrical Connections**
(1 minute)

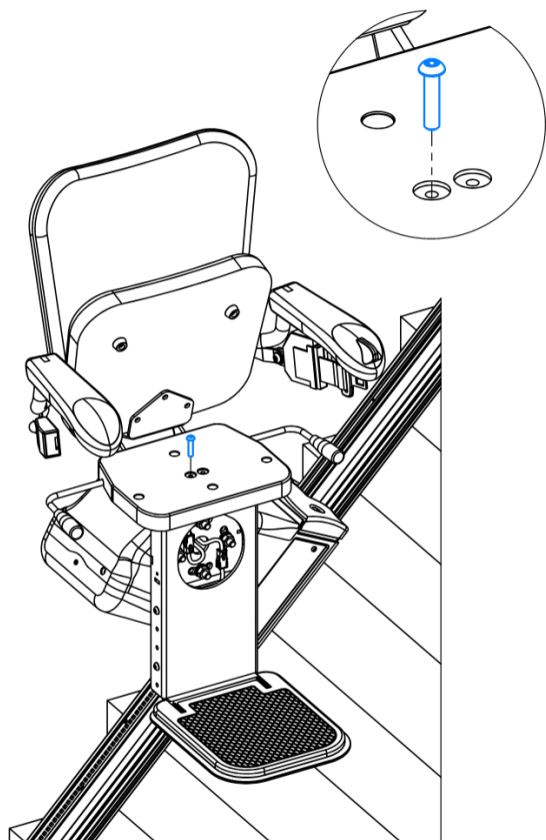
more videos can be found at [youtube.com/AmeriGlide](https://www.youtube.com/AmeriGlide)

Connect the seat wiring.

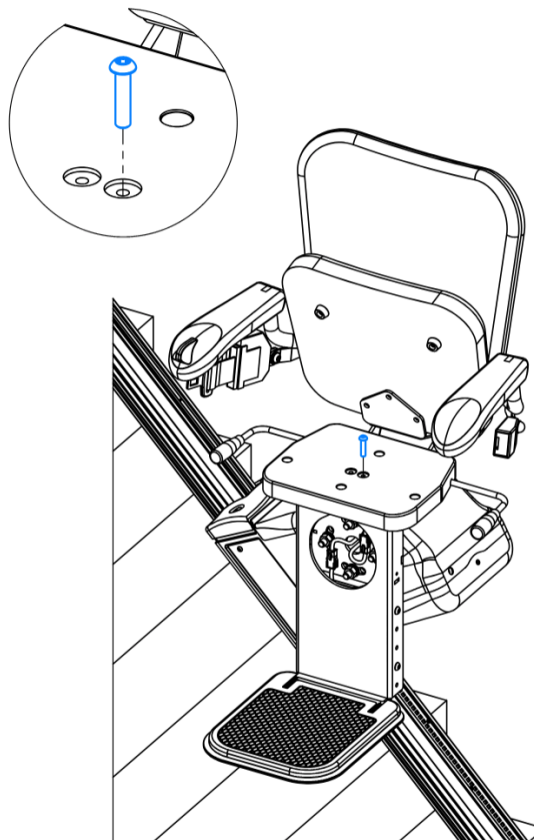
Plug the connector labeled "2R" or "2L" from the carriage to the connector from the chair.

Use "2R" for a Right-Hand (RH) carriage, or "2L" for a Left-Hand (LH) carriage.

4



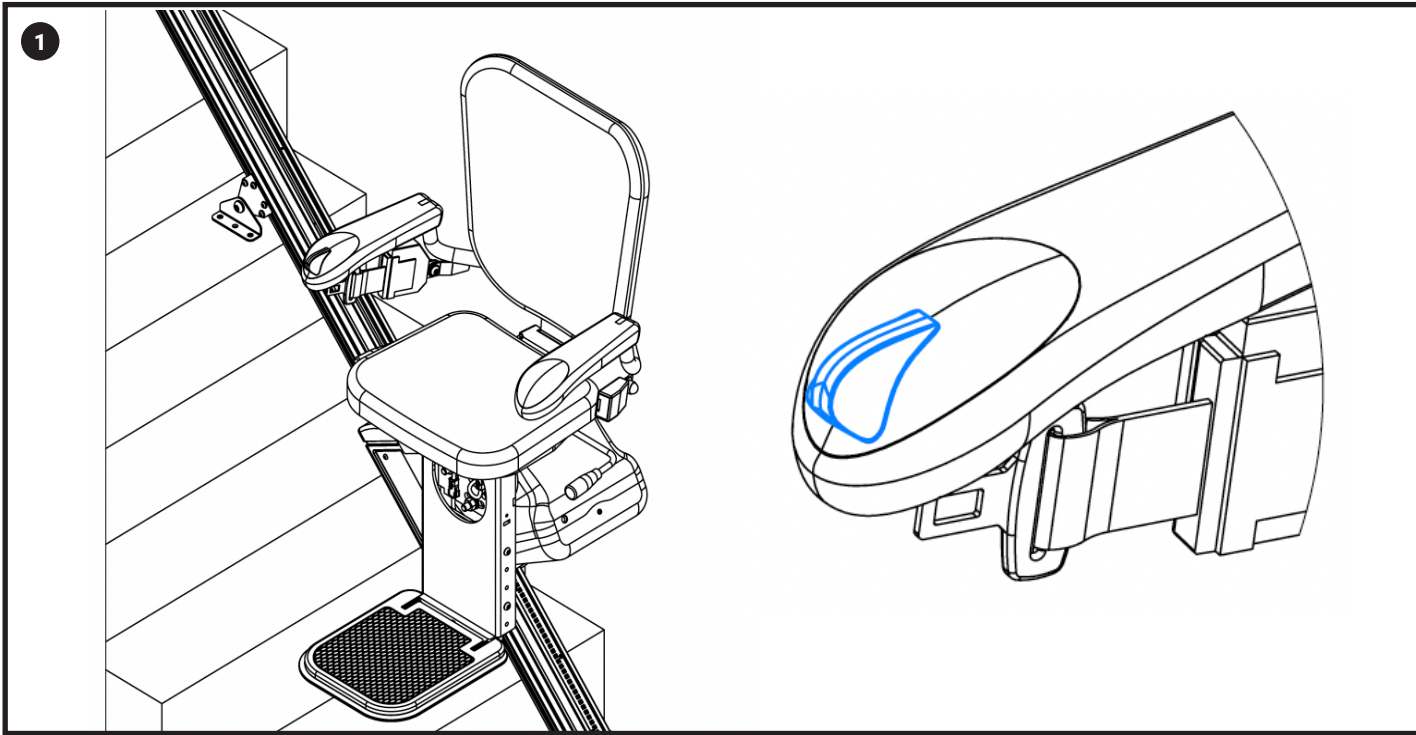
Put the rotation locking screw on the left for a left side installation.



Put the rotation locking screw on the right for a right side installation.

Install 1 of the 2 pivot screws (Philips) on top of the chair to prevent it from rotating toward the staircase (downstairs).

3.4 Test the Chair



Once the footrest and chair are connected to the carriage, turn on the carriage with the on/off switch and test the stair lift to ensure it travels up and down smoothly using the armrest control.

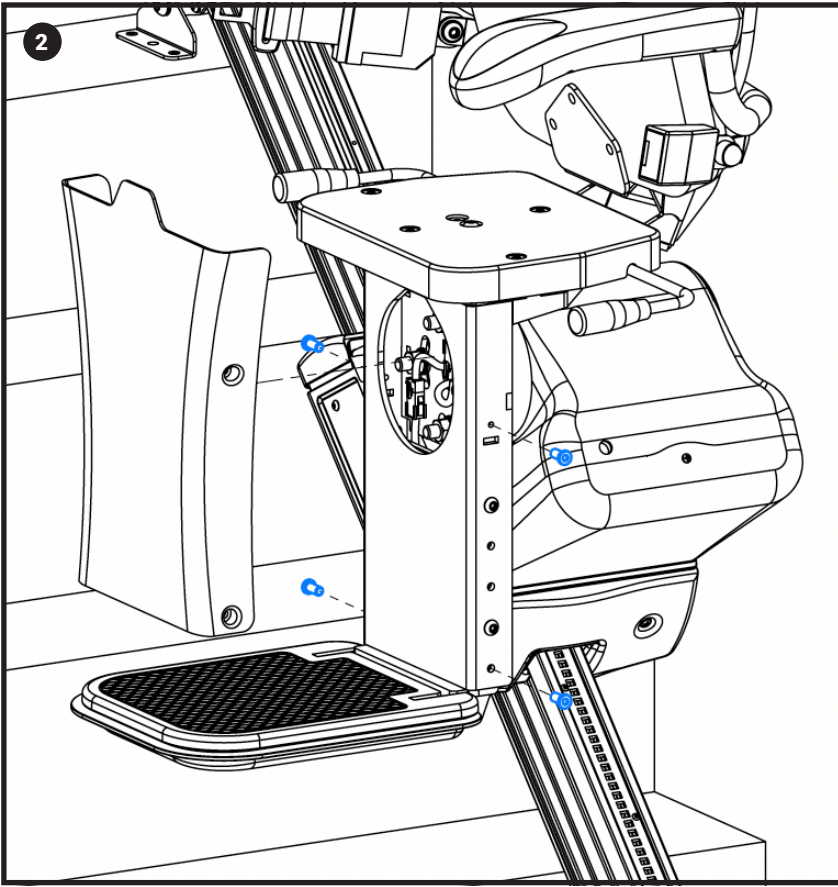
NOTE: Only move the stair lift a few inches in both directions. Do not use the stair lift too much right now. The charger isn't plugged in, so it's running only on battery power.

Scan to watch!

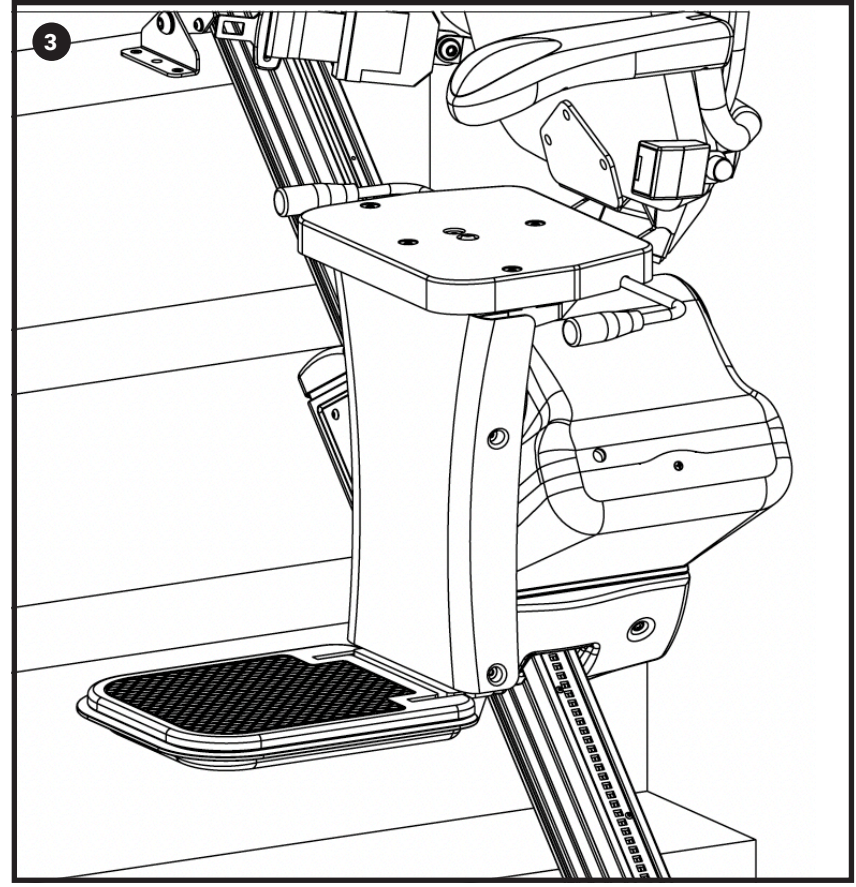
Testing Stair lift
Operation
(1 minute)



more videos can be found at
[youtube.com/AmeriGlide](https://www.youtube.com/AmeriGlide)



Confirm that the lift runs correctly in both directions and that the seat and footrest are securely attached.



Once functionality is confirmed, use the 4mm Allen Key to reinstall the 4 screws securing the footrest cover.

.04

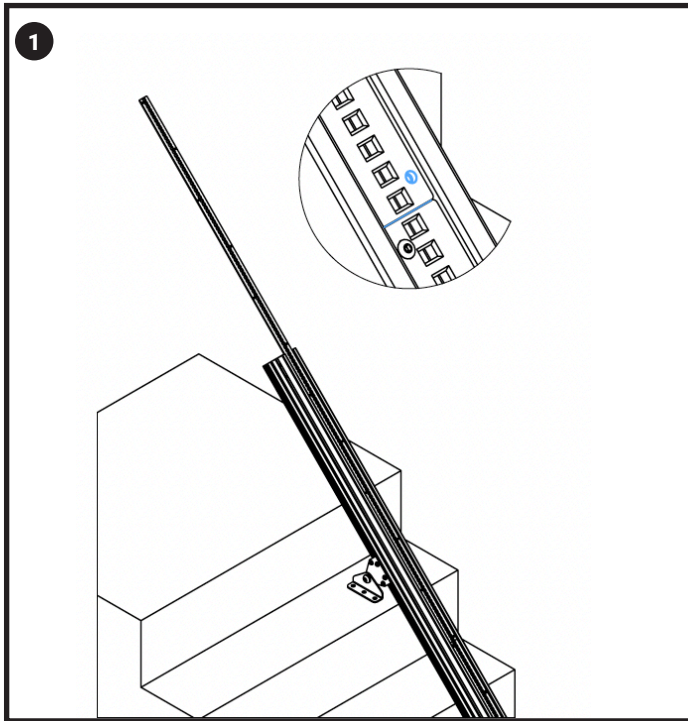
Gear Rack Assembly

Tools Needed:

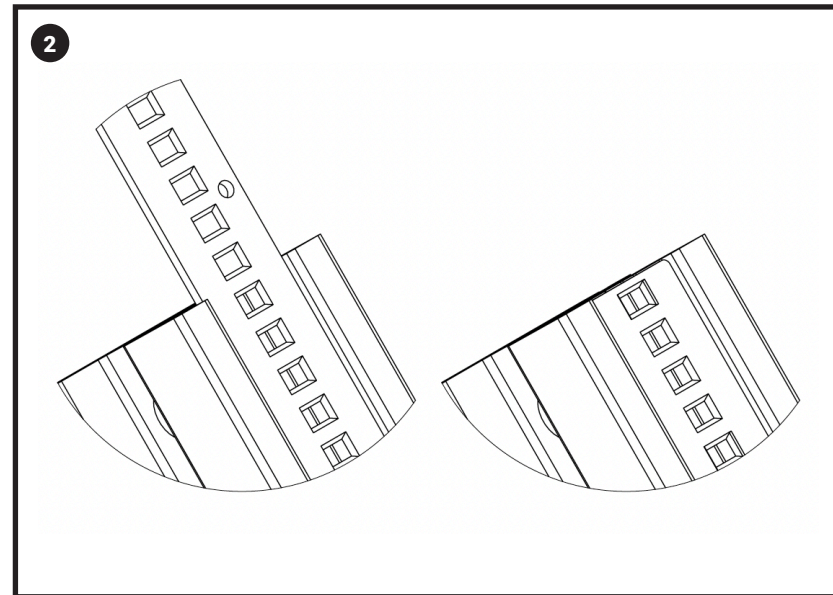
- Chop Saw/Grinder
- Square Head Screwdriver
- Drill
- Square-Headed Bit
- Hammer
- S1 Square Bit

4.1 Cut the Top Gear Rack Section

TOOLS NEEDED: Chop Saw or Grinder, Square-Head Screwdriver



Position the gear racks end to end with no gap, ensuring that the pre-drilled holes in the rail align with the holes in the gear rack.

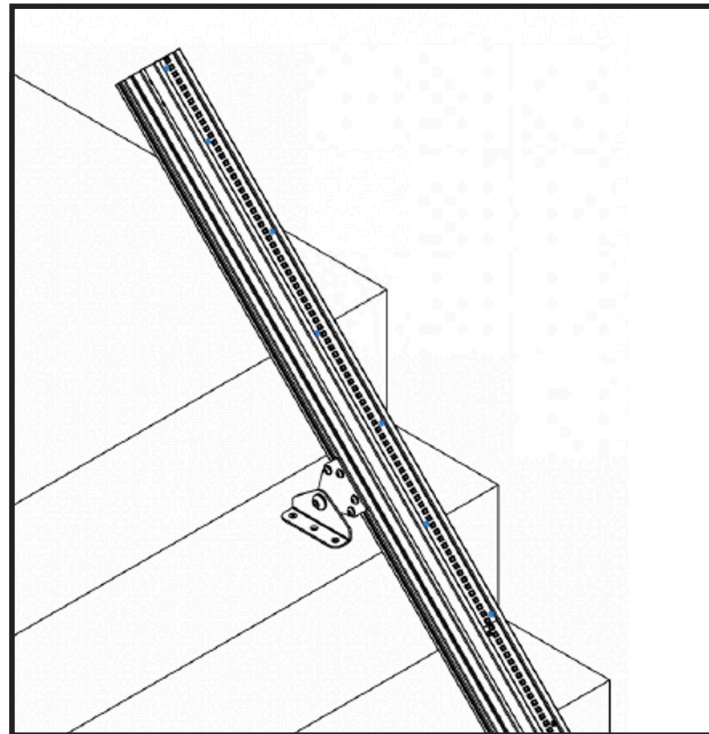
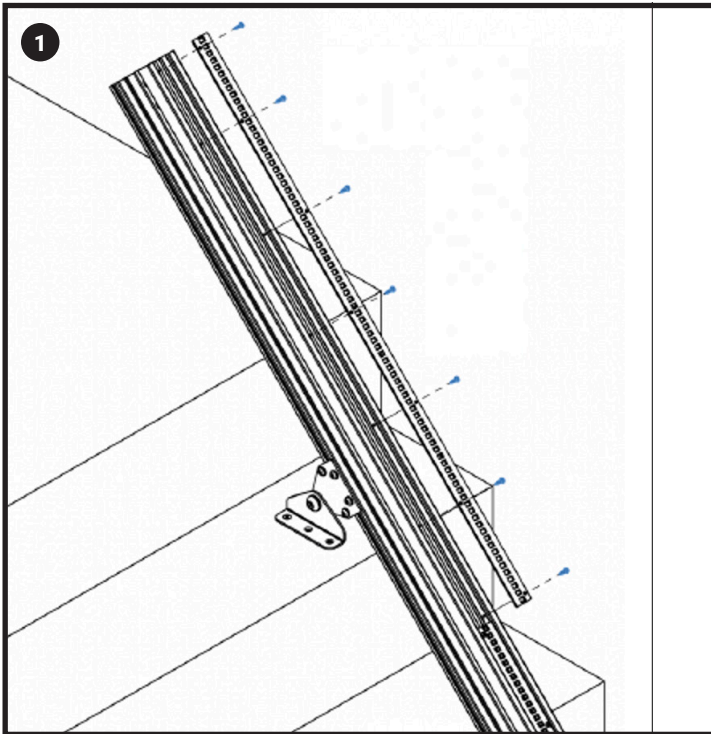


Mark the cut line on the last gear rack section:

- Ensure the gear rack does not extend beyond the rail.
- Cut between the holes to maintain structural integrity.
- After cutting, file the end of the gear rack to eliminate any sharp edges that could damage the charger cables.

4.2 Installing the Gear Rack

TOOLS NEEDED: Drill, Square-Headed Bit, S1 Square Bit

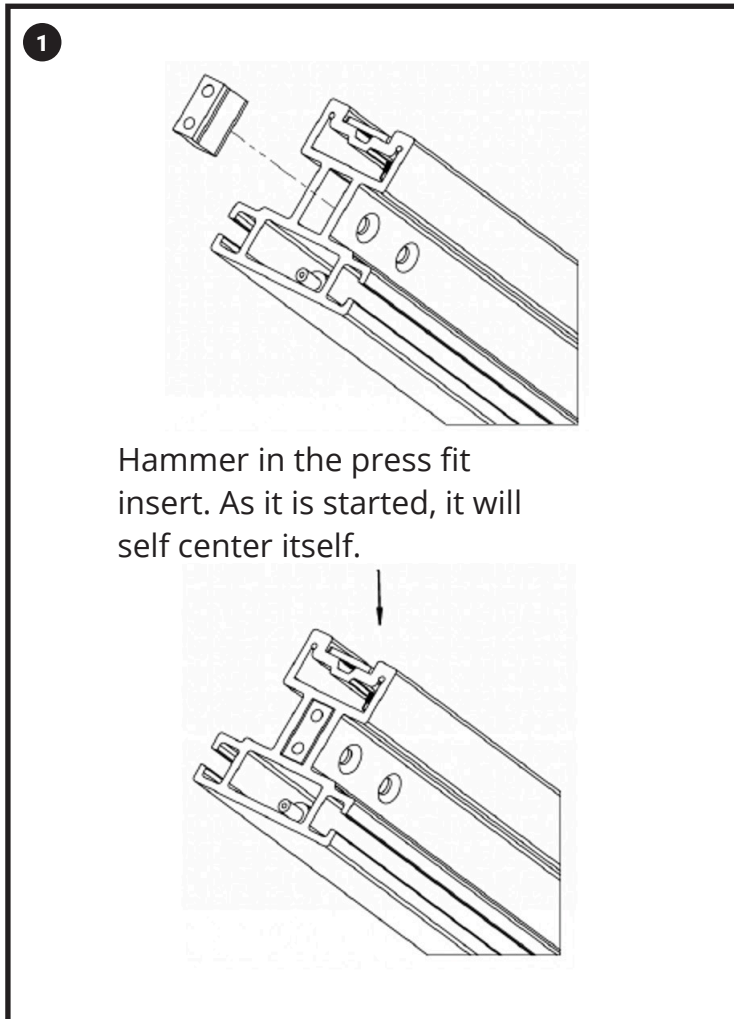


Install the gear rack with all the provided screws. **Do not use an impact driver as the impacts might break the screws.** Use a drill instead and make sure to not overtighten.

(Drill one screw in each row of holes - approximately every 7–8 inches).

4.3 Installing the End-Plate

TOOLS NEEDED: Hammer, S1 Square Bit



Hammer in the press fit insert into the middle hole of the rail.

- It will self-center automatically once started.
- Gently tap the insert until it is set 1/16" below the surface of the rail.

CAUTION: Tap in the insert (without the screws inserted) using a small piece of cardboard rail corner from the packaging to protect the screw holes from damage when hammering in the press-fit.*

Then, once in position, insert the screws and be sure not to over tighten.

**If hole or threads are damaged due to hammering, a M6x1.0mm tap can be used to rethread the hole.*



Scan to watch!

Installing the
Rail Insert
(30 seconds)

more videos can be found at [youtube.com/AmeriGlide](https://www.youtube.com/AmeriGlide)

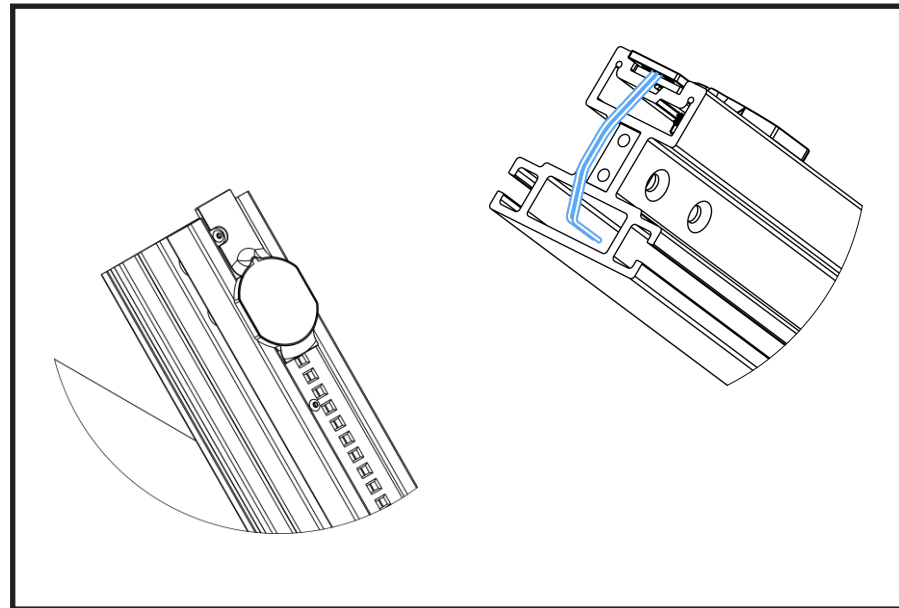
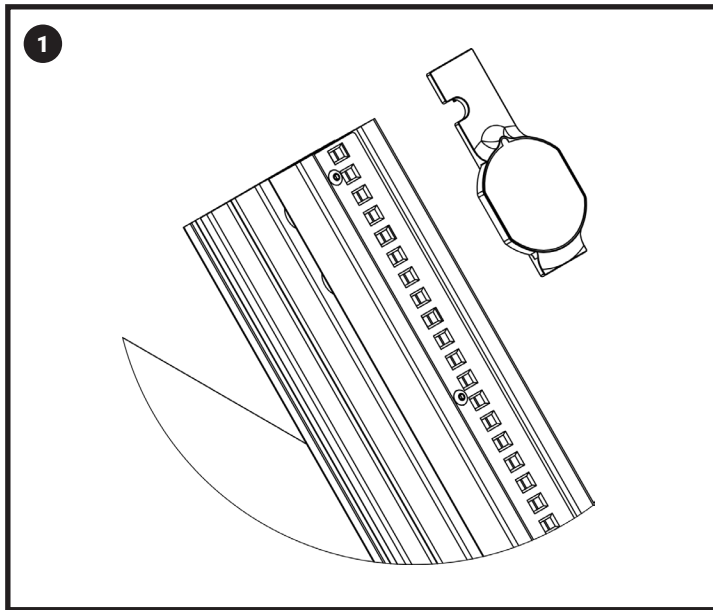
.05

Charger Assembly

Tools Needed:

- Philips Screwdriver
- 4mm Allen Key

5.1 Install the Top Charger



Stick the top charger securely onto the gear rack.

- Ensure the charger is aligned properly and is not protruding more than 1/4 inches from the rail.
- Attach the charger securely to the gear rack with the double sided tape provided.

IMPORTANT: A charger that is misaligned or protruding too far may interfere with the carriage or damage the cable over time. Double-check fitment before proceeding.

Scan to watch!

Top Charger and End
Plate Orientation
(1:30 minute)



more videos can be found at
[youtube.com/AmeriGlide](https://www.youtube.com/AmeriGlide)

5.2 Install the End Plate

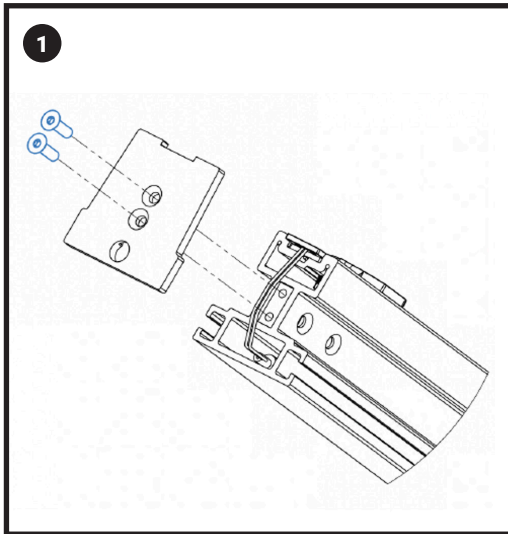
TOOLS NEEDED: Philips Head Screwdriver, 4mm Allen Key



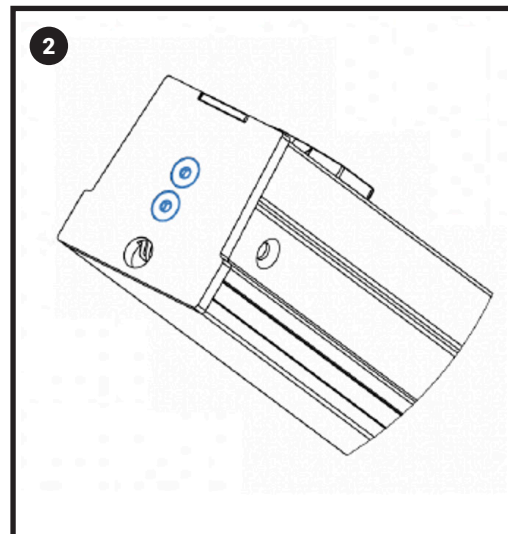
Scan to watch!

Installing the
Top End Plate
(1 minute)

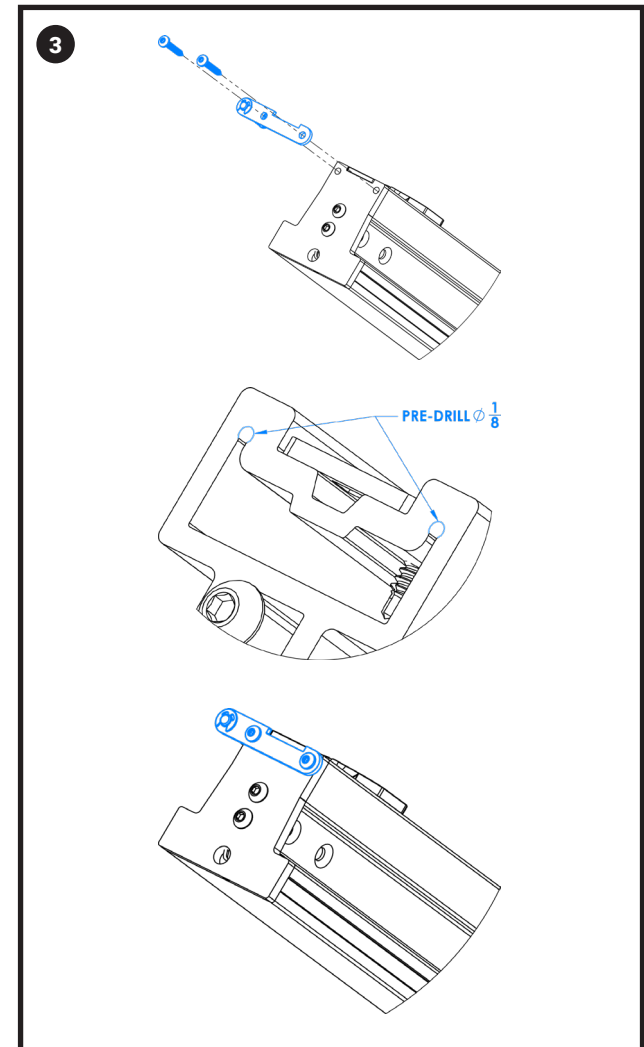
more videos can be found at youtube.com/AmeriGlide



Position the end plate over the rail, making sure none of the charger wires are pinched during installation.



Insert and tighten the screws to secure the end plate in place.



IMPORTANT:

DO NOT OVERTIGHTEN THE SCREWS – overtightening may damage the insert or deform the rail.



5110 Atlantic Ave. Raleigh, NC 27616
AmeriGlide.com