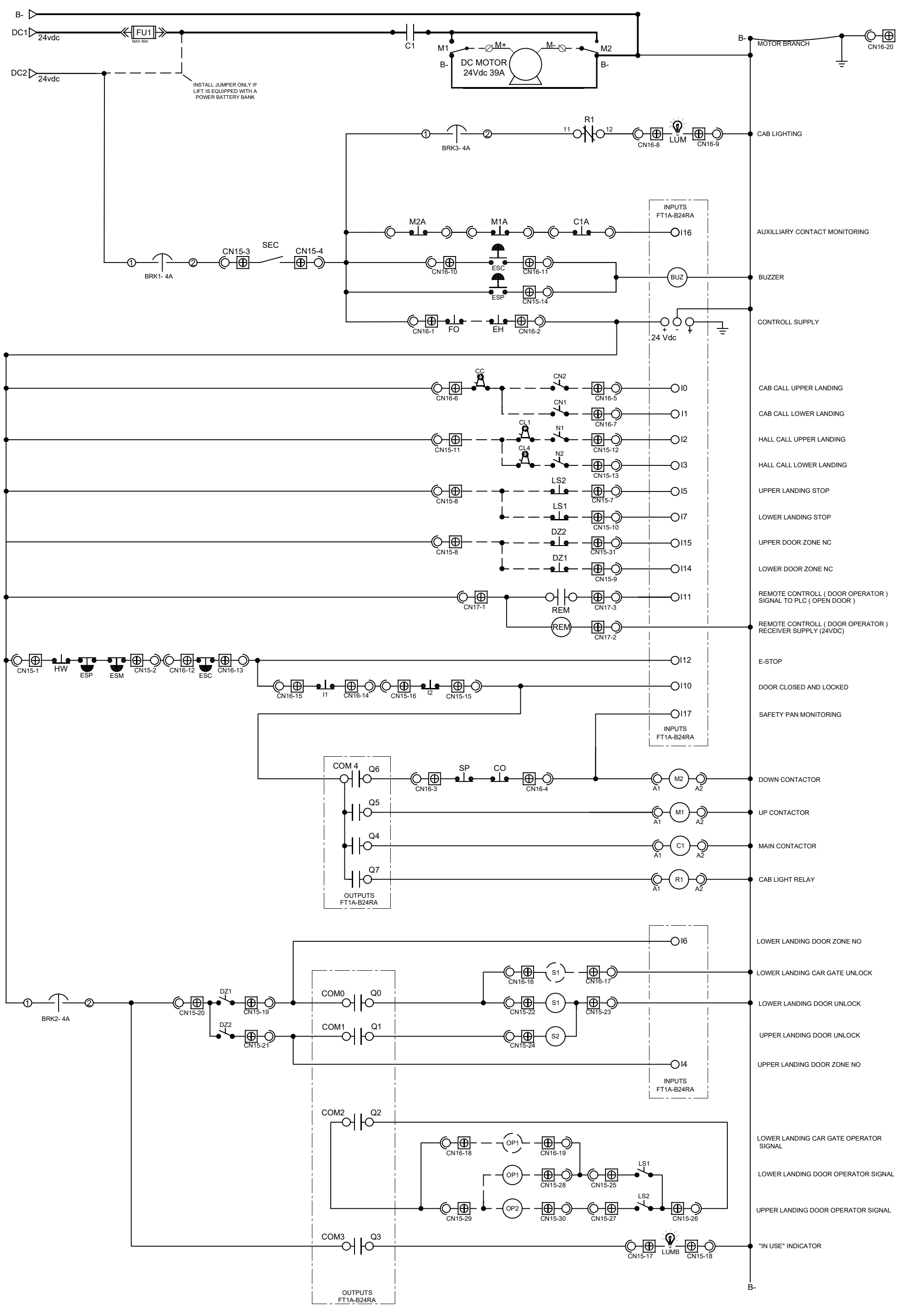


A
B
C
D
E
F
G
H
I
J
K
L
M
N
O
P
Q
R
S
T



| Rév. | Modifications | Initials | Date |
|------|---------------|----------|------|
| | | | |
| | | | |
| | | | |
| | | | |


Les Escalateurs Atlas
 St-Hyacinthe, QC
 Tel: 450-796-5708
 Fax: 450-796-5110

Wiring Diagram
 Project :
 ATL-NANO-R-Z2-24
 Revision :
 4.02

Drawing Number :
 ATL-NANO-R-Z2-24
 Format : 11 X 17
 Scale : NTS
 Drawn by : S.A.
 Date : 27/05/2021
 Page : 1 of 1