

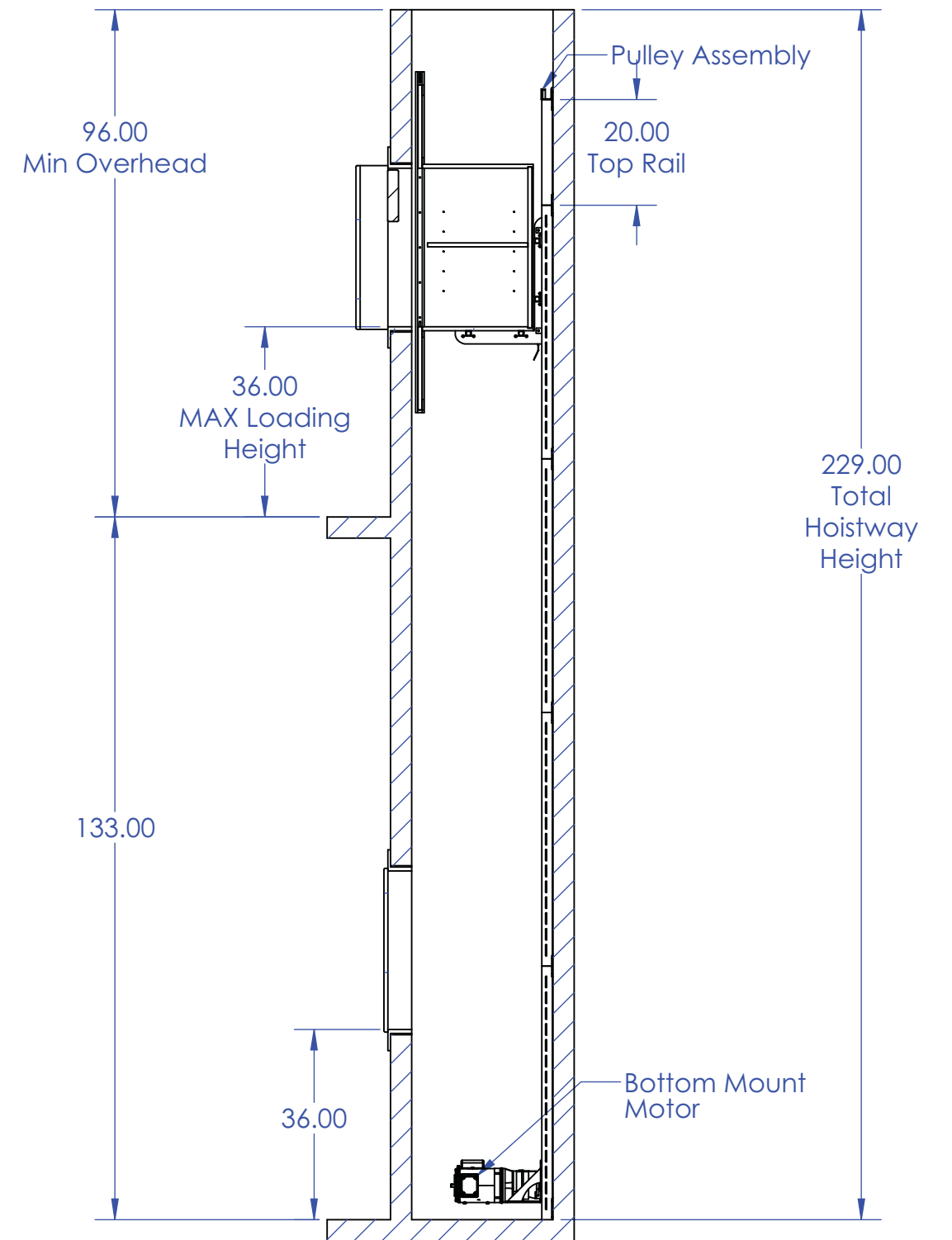
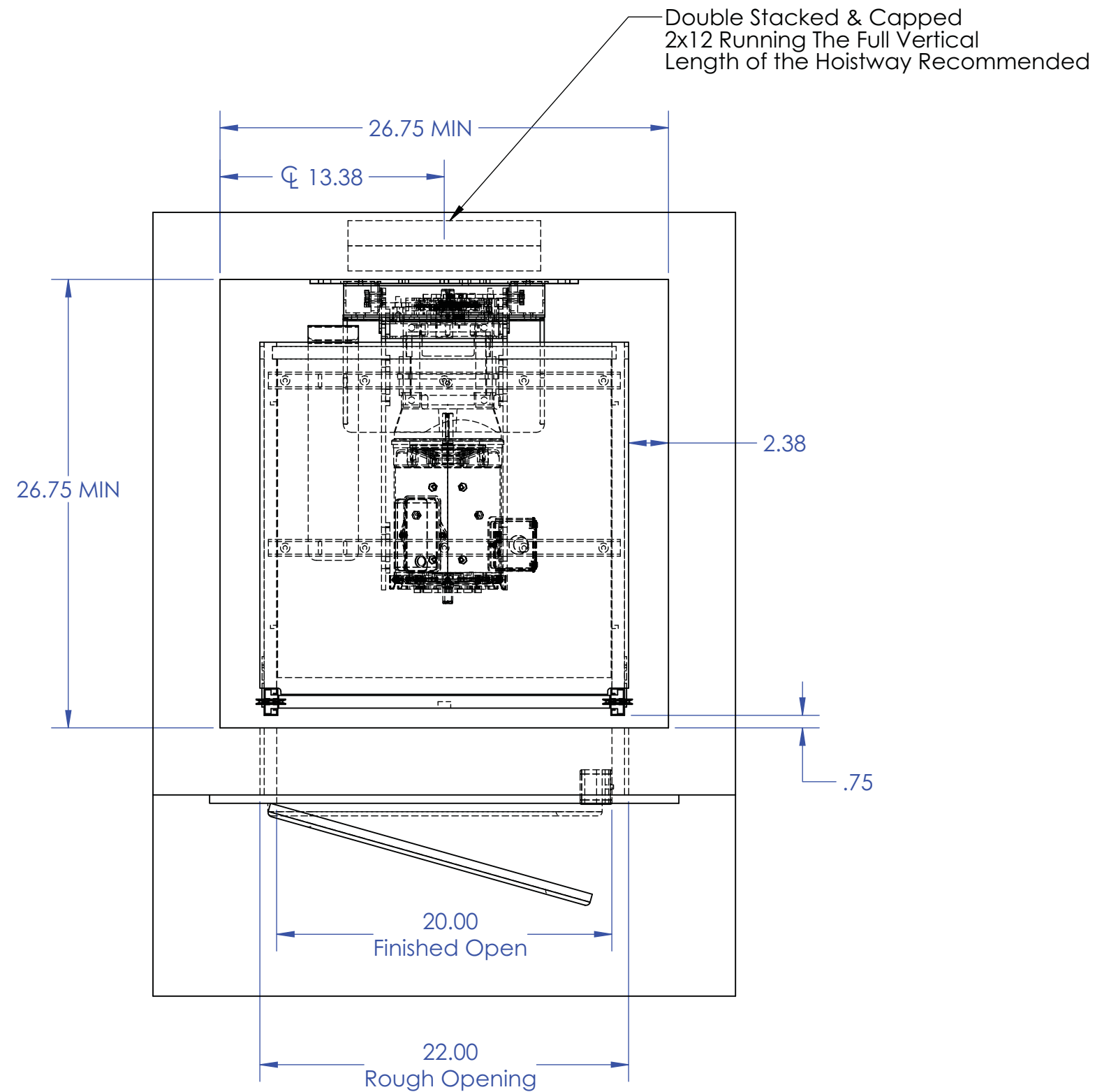
DUMBWAITER SPECIFICATIONS

MODEL	Express Plus
CAPACITY	200 LBS
SPEED	32 FPM (Nominal)
DRIVE	CHAIN DRIVE GEAR MOTOR
DOOR LOCKS	HONEYWELL RELIALIGN ELECTROMECHANICAL INTERLOCKS
OPERATION	AUTOMATIC OPERATION, MANUAL DOORS
FINISH	UNFINISHED BIRCH
ELECTRICAL REQUIREMENTS	CONTROLLER COMES EQUIPPED WITH A 120VAC PLUG/PIGTAIL. REQUIRES A DEDICATED CIRCUIT, 120VAC, 15AMP OUTLET WITHIN SIGHT OF THE LIFT. FOR JURISDICTIONS WHICH REQUIRE THE CONTROLLER TO BE HARDWIRED, HARD WIRE INTO APPROPRIATE DISCONNECTING MEANS.
CONTROL SYSTEM	PLC, RELAY, PLUG'N'PLAY FIELD WIRING
CODE	AMSE 17.1.7

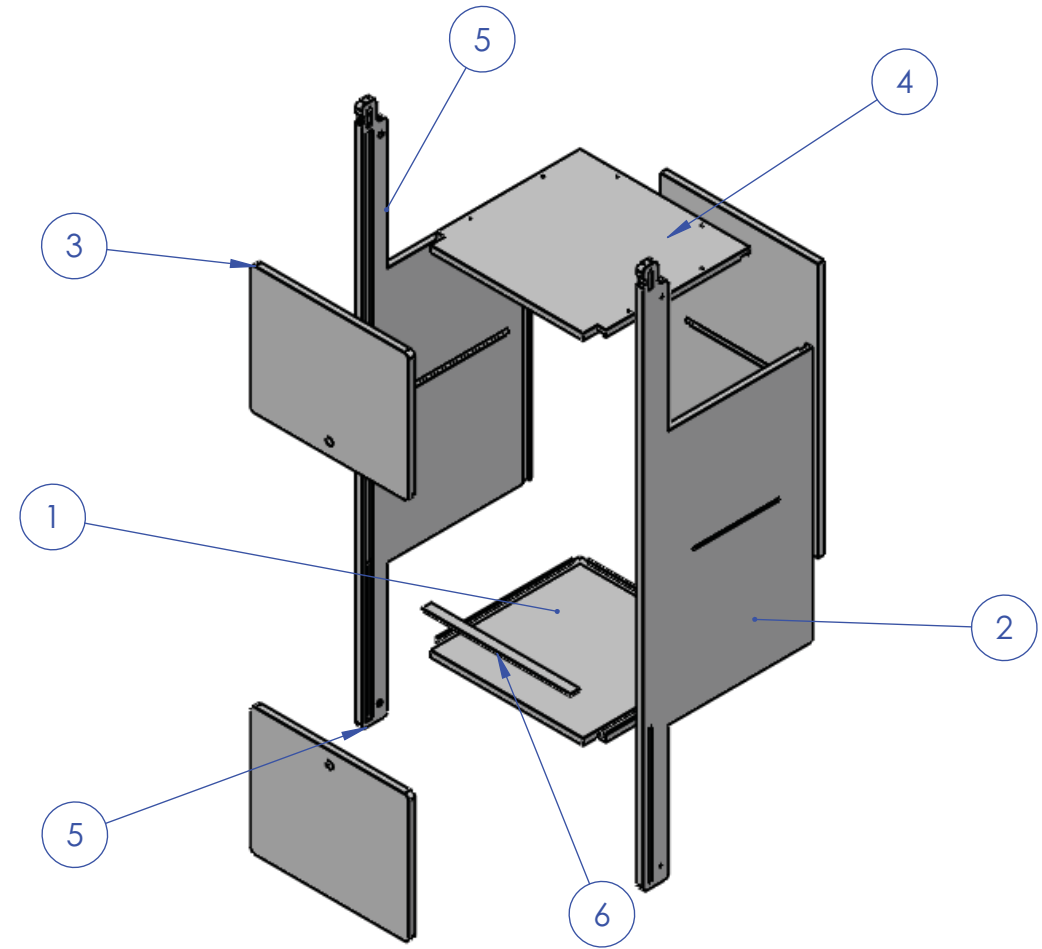
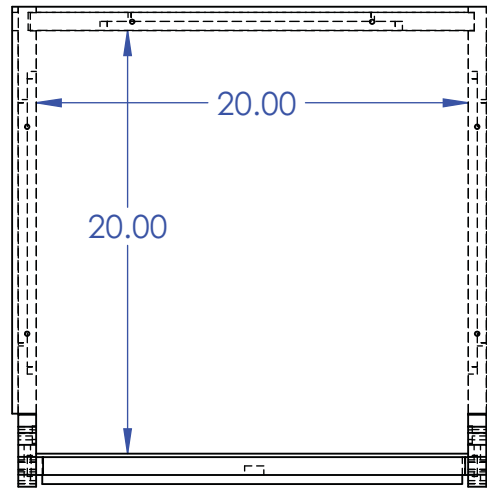
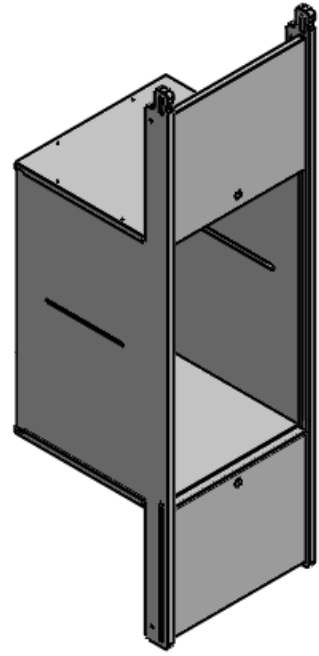


2 RH Locks
20x20x30
Bottom Mount Motor

DO NOT SCALE DRAWING	NAME	DATE	PROJECT NAME
	DRAWN		
APPROVAL STATUS:	PROPRIETARY AND CONFIDENTIAL		PROJECT LOCATION
APPROVED	THE INFORMATION CONTAINED IN THIS DRAWING IS THE SOLE PROPERTY OF PRECISION LIFT INDUSTRIES, LLC. ANY REPRODUCTION IN PART OR AS A WHOLE WITHOUT THE WRITTEN PERMISSION OF PRECISION LIFT INDUSTRIES, LLC IS PROHIBITED.		COMMENTS:
APPROVED AS NOTED			SIZE DWG. NO.
REVISE AND RESUBMIT			A
SIGNATURE			SCALE 1:16
			SHEET 1 OF 4



DO NOT SCALE DRAWING	NAME	DATE	PROJECT NAME
	DRAWN		
APPROVAL STATUS:	PROPRIETARY AND CONFIDENTIAL		PROJECT LOCATION
APPROVED	THE INFORMATION CONTAINED IN THIS DRAWING IS THE SOLE PROPERTY OF PRECISION LIFT INDUSTRIES, LLC. ANY REPRODUCTION IN PART OR AS A WHOLE WITHOUT THE WRITTEN PERMISSION OF PRECISION LIFT INDUSTRIES, LLC IS PROHIBITED.		COMMENTS:
APPROVED AS NOTED			SIZE DWG. NO.
REVISE AND RESUBMIT			A
SIGNATURE			SCALE 1:16
			SHEET 2 OF 4

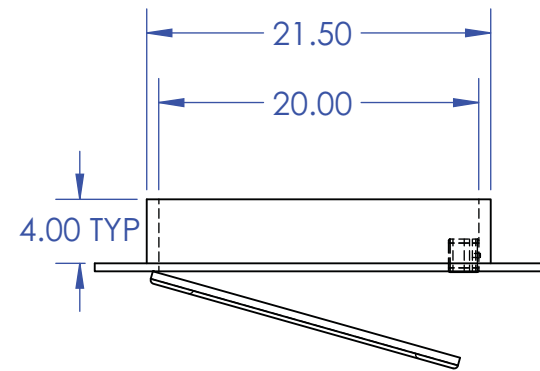


ITEM NO.	DESCRIPTION	QTY.
1	RearCabBottom_TopPanel	2
2	RearCabSidePanel	1
3	RearCabDoorPanel	2
4	RearCabRearPanel	1
5	RearMirrorCabSidePanel	1
6	RearDoorThreshold	1



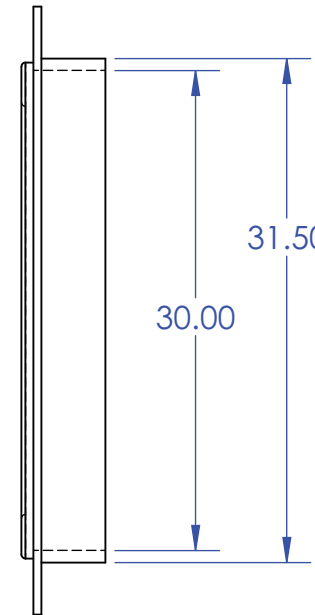
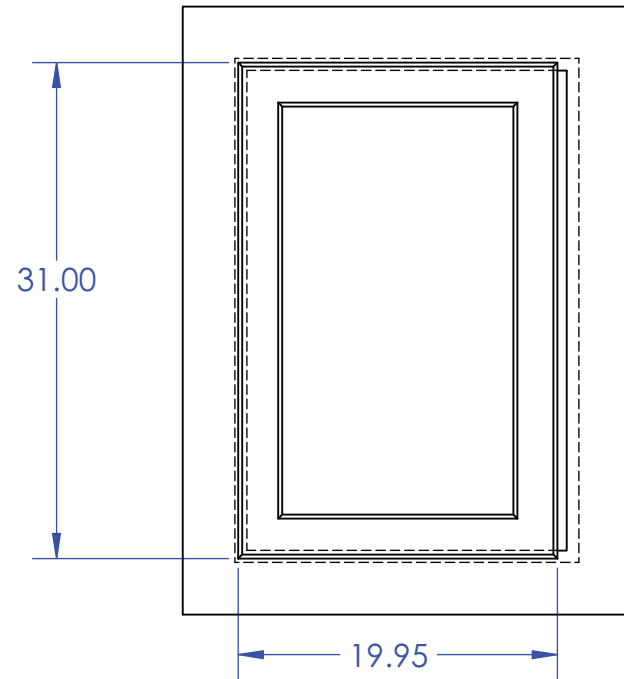
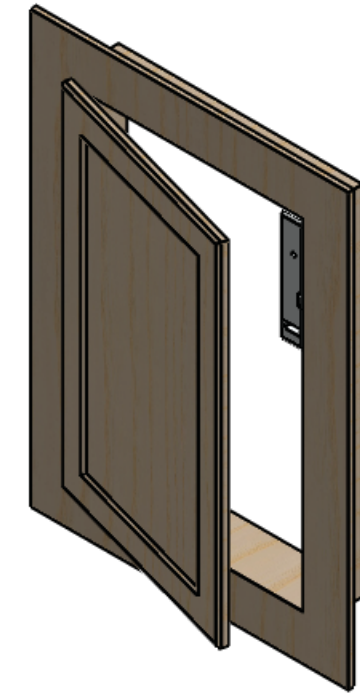
Standard 20x20x30 ID

DO NOT SCALE DRAWING	NAME	DATE	PROJECT NAME
	DRAWN		
APPROVAL STATUS:	PROPRIETARY AND CONFIDENTIAL		PROJECT LOCATION
APPROVED	THE INFORMATION CONTAINED IN THIS DRAWING IS THE SOLE PROPERTY OF PRECISION LIFT INDUSTRIES, LLC. ANY REPRODUCTION IN PART OR AS A WHOLE WITHOUT THE WRITTEN PERMISSION OF PRECISION LIFT INDUSTRIES, LLC IS PROHIBITED.		COMMENTS:
APPROVED AS NOTED			
REVISE AND RESUBMIT			
SIGNATURE			
	SIZE	DWG. NO.	
	A		
	SCALE 1:16		SHEET 3 OF 4



TYP CABINET
DOOR DIM

RH Swing Shown



**Honeywell Lock Included
Hall Cabinet Door, Hardware & Face BY OTHERS**



RECOMMENDED DOORS

DO NOT SCALE DRAWING	NAME	DATE	PROJECT NAME
	DRAWN		
APPROVAL STATUS:	PROPRIETARY AND CONFIDENTIAL		PROJECT LOCATION
APPROVED	THE INFORMATION CONTAINED IN THIS DRAWING IS THE SOLE PROPERTY OF PRECISION LIFT INDUSTRIES, LLC. ANY REPRODUCTION IN PART OR AS A WHOLE WITHOUT THE WRITTEN PERMISSION OF PRECISION LIFT INDUSTRIES, LLC IS PROHIBITED.		COMMENTS:
APPROVED AS NOTED			
REVISE AND RESUBMIT			
SIGNATURE	SIZE	DWG. NO.	
	A		
	SCALE 1:16		SHEET 4 OF 4