



# Aqua Creek Products

THE LEADERS IN RECREATION, FITNESS, AND ABILITY!

9889 Garrymore Ln  
Missoula, MT 59808

888-687-3552 | +1-406-549-0769

www.aquacreek.com

# Revolution Lift Manual

**PART #: F-702RLNA-02**

US PATENT NUMBER: [D507,769 S]  
500 LB. [227 kg] MAXIMUM WEIGHT CAPACITY

FOR INDOOR OR OUTDOOR USE

**MANDATORY**  
LEAVE THIS MANUAL WITH LIFT OWNER



## READ CAREFULLY

Check entire box and all packing materials for parts. Before beginning assembly, read the instructions and identify parts using the figures and parts listed in this document.

It is critical that all parts be carefully inspected prior to installation. If any damage occurred in transit, Aqua Creek Products, LLC must be notified within three days of receipt of unit.

Proper installation cannot be overstressed, as an improper installation voids Aqua Creek's warranty and may affect the safety of the user.

# Revolution Lift

## IMPORTANT SAFETY INSTRUCTIONS



When installing and using this electrical appliance, basic precautions should always be followed, including the following:

### READ ALL INSTRUCTIONS BEFORE USING

**WARNING** - To reduce the risk of injury, do not permit children to use this product unless they are closely supervised at all times.

This appliance is not intended for use by persons (including children) with reduced physical, sensory or mental capabilities, or lack of experience and knowledge, unless they have been given supervision or instruction concerning use of the appliance by a person responsible for their safety.

A wire connector is provided on the unit to connect a minimum 8 AWG (8.4mm<sup>2</sup>) solid copper conductor between this unit and the means for local equipotential bonding.

Check the unit periodically for signs of deterioration: Keep all nuts, bolts and screws tight to be sure the lift is in safe working condition.

### SAVE THESE INSTRUCTIONS

Affix supplied ADA POOL/SPA LIFT sign in a location visible from the lift at all times.

Rechargeable batteries are to be removed from the appliance before being charged. Batteries are to be inserted with the correct polarity. If the appliance is to be stored unused for a long period of time, the batteries should be removed. The supply terminals are not to be short-circuited.

#### REDUCE THE RISK OF DROWNING!

Supervise children at all times.

No jumping or diving from the lift.

Seat may be hot, use caution when entering.

Keep covered when not in use. Inspect and clean before use.

#### **INDOOR BATTERY CHARGER:**

AMPERAGE = 0.65    FREQUENCY = 60

#### **24 VOLT BATTERY**

AMPERAGE = 8    IP RATING = IPX5

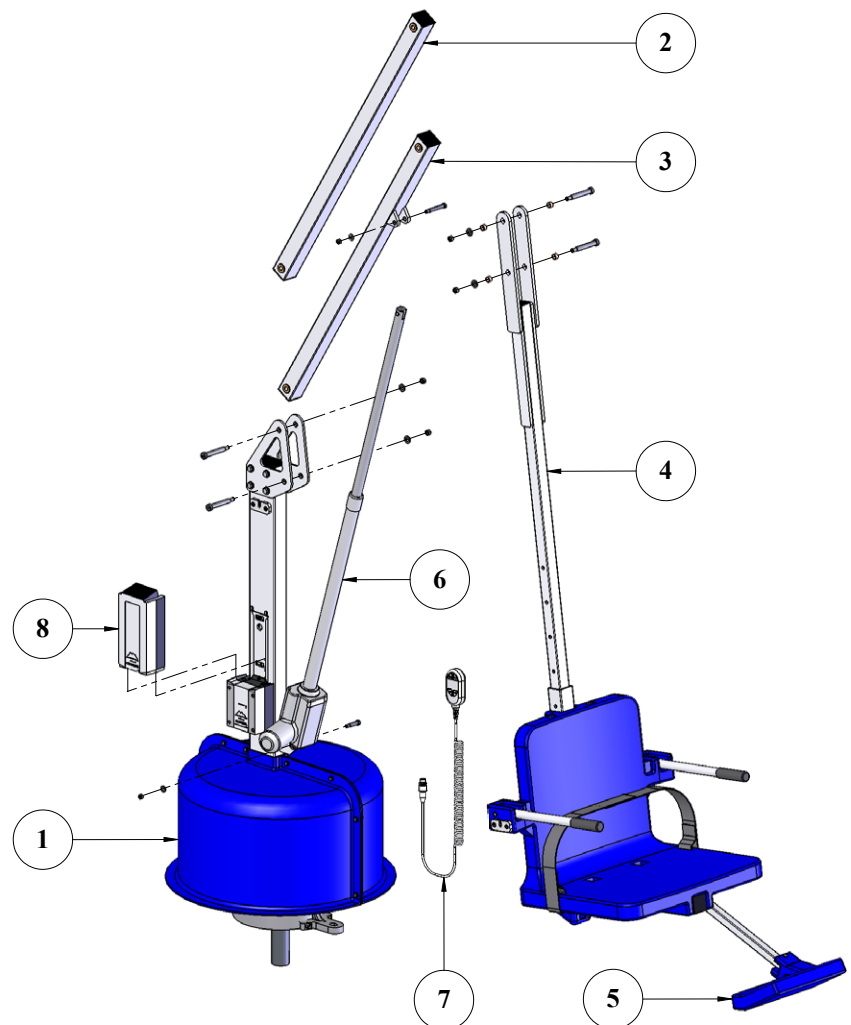
# Revolution Lift

## Table of Contents

PAGE	DESCRIPTION	PAGE	DESCRIPTION
3	Revolution Components	11	Pinch Point Locations
4	ADA Installation Guidelines	12	Proper Care of Pool & Spa Lifts
5	Anchor Installation: New Construction	13	Revolution Parts List
6	ADA Fixing Insert Installation	14	Chair & Footrest Parts List
7-9	Revolution Assembly Instructions	15	Warranty
10	Troubleshooting Guide		

## Revolution Components

1. The Revolution Main Assembly
2. Control Arm
3. Lifting Arm
4. Seat Arm
5. Footrest
6. Actuator
7. Vito Handset
8. 24V Battery



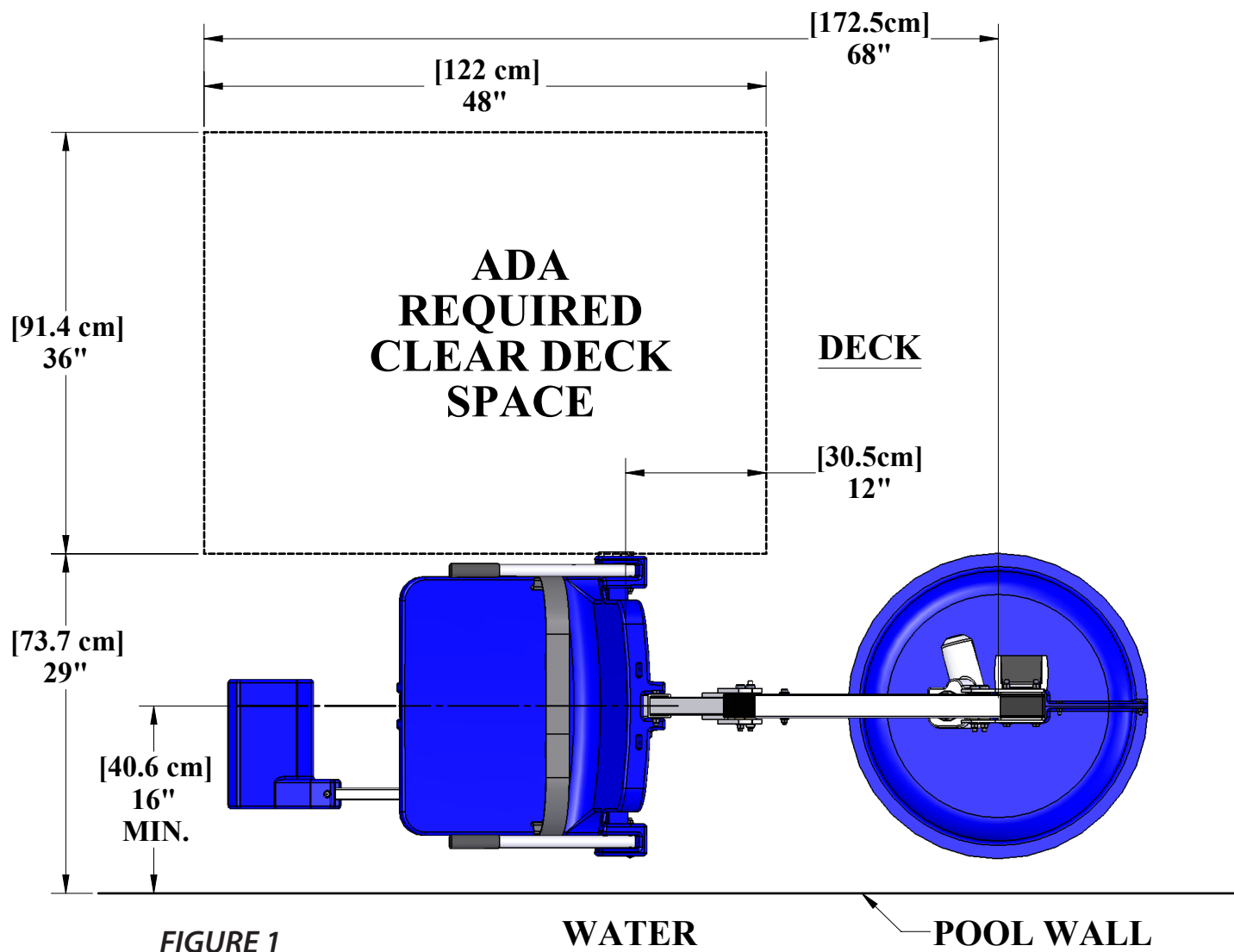
# Installation: ADA Guidelines

ADA Requirements:

The Revolution Lift is ADA Compliant.

The installation must meet the following requirements:

- Clear deck space dimensions (see FIGURE 1)
- Installed a minimum of 16 inches from the pool wall
- Deck slope no greater than 1:48
- The seat must submerge at least 18 inches into the water. The lift should be installed at a location with 42 inches - 48 inches of depth (deck to pool floor)
- Anchor setbacks are based on straight pool/spa walls. Curved pool/spa walls will effect the anchor setback.



# Anchor Installation: New Construction or Retro-Fit

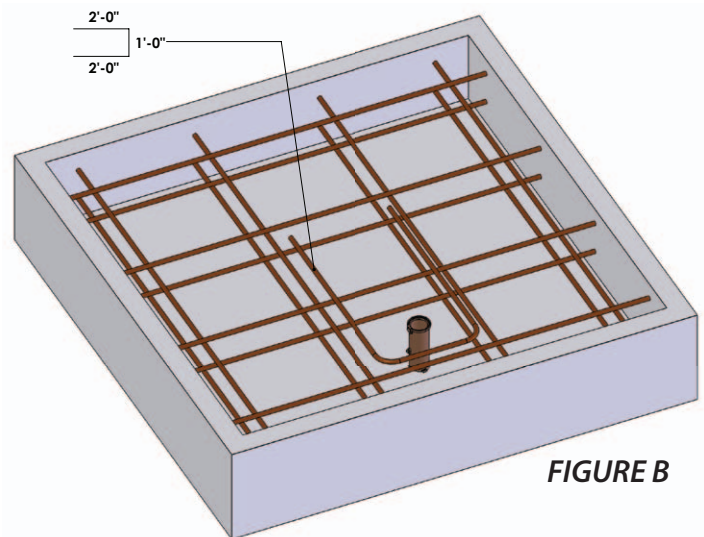
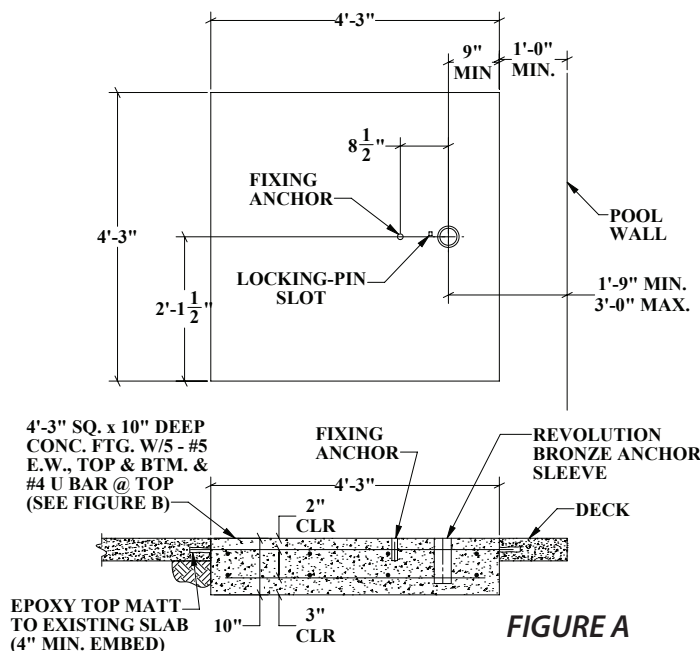
You may need to saw cut and remove a portion of an existing pool deck in order to achieve the 10 inch depth footing requirement. Aqua Creek does NOT recommend a core drill installation for this lift.

To properly install this anchor, you will need to have a concrete footing comprised of 2500 psi concrete that is 10 inches deep and 4 feet - 3 inches square and reinforced with rebar. Refer to Figures A and B below.

If cutting into an existing pool deck, the rebar must be drilled and secured to the surrounding pool deck on three sides (do not secure into bond beam). The centerline of the anchor should be no less than 9 inches from the edge of the footing.

NOTE: The anchor setback will vary depending on application and any options you choose for the lift. 16 inch setback is the minimum for ADA compliance however, given a typical 1 foot bond beam and the fact that the anchor should be no closer than 9 inches to the edge of your footing, 21 inches may be the closest you can achieve. The chart below outlines the minimum and maximum anchor setback locations for the available options based on this premise. Also, some attachments will de-rate the lifting capacity of the lift. Refer to the attachment manual or spec sheet to check for changes in lifting capacities.

1. Determine the location for the anchor based on the options you are ordering or think you may order in the future and set the anchor in place. You may use a small mass of wet concrete to set the anchor in place. Use a level and string lines to make sure the anchor is perpendicular and will be flush with the top of the finished deck surface.
2. Bond the anchor according to local code requirements using the bonding lug on the bottom of the anchor. Reference the National Electric Code (NEC) Article 680.26 for specifics on bonding.
3. Pour the concrete so that the top of the anchor will be flush with the FINISHED pool deck surface.
4. Once the concrete has cured, the lift can be put into place.

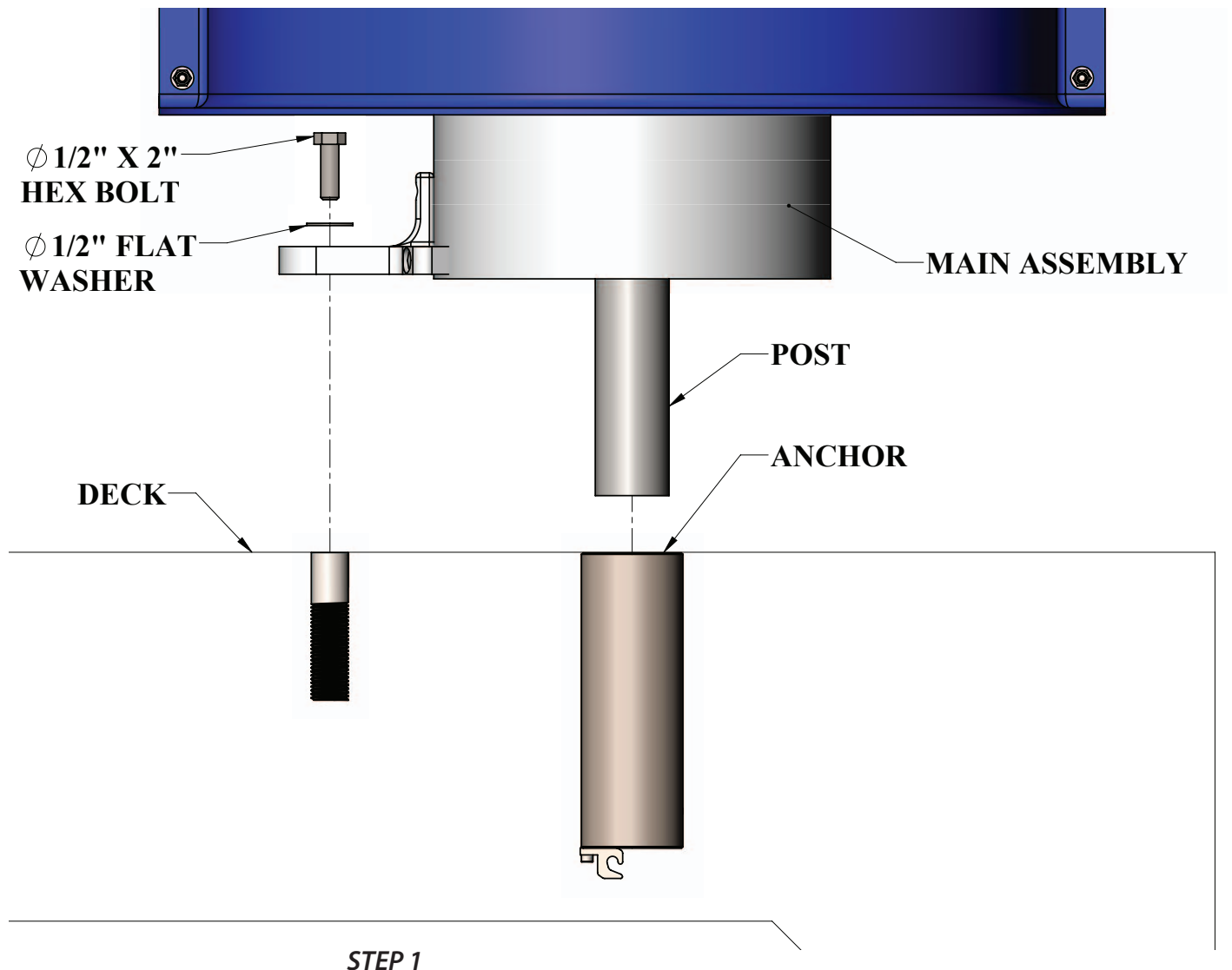


ITEM NO.	OPTION	MIN	MAX
F-730RSA-S2	GURNEY	21"	32"
F-706RLSS	SLING SEAT	21"	24"
F-734RSA	SPINE BOARD	21"	34"
F-705-S2	WHEELCHAIR ADAPTER	21"	34"

# ADA Fixing Insert Installation (Commercial Applications)

## STEP 1: INSTALLING THE LIFT ON THE POOL/SPA DECK

1. Place the post of the main assembly into the anchor. **DO NOT LIFT THE MAIN ASSEMBLY BY USING THE ELECTRIC RAM AS A HANDLE.** If the transport cart was ordered with the lift, it can be used effectively here. If not, use two people.
2. Mark the location for the fixing anchor hole and remove the lift. (see pg 4, FIGURE A)
3. Drill the hole with a 1 1/4 inch core drill or roto-hammer to a depth of about 4 1/2 inches.
4. Clean the hole out and make sure it is dry. Thread the 1/2 inch bolt into the top of the PVC fixing anchor and test fit to verify it can be mounted perpendicular. See Step 1 below.
5. Using a two part construction epoxy, fill the hole approximately half full and carefully insert the PVC fixing anchor into the hole, twisting as you push down to evenly spread the epoxy.
6. Allow the epoxy to cure before securing the lift.
7. Re-install the lift into the anchor and using the 1/2 inch bolt and washer, carefully thread into the installed anchor until snug. **TO PREVENT BREAKING THE FIXING BRACKET, DO NOT OVERTIGHTEN!**



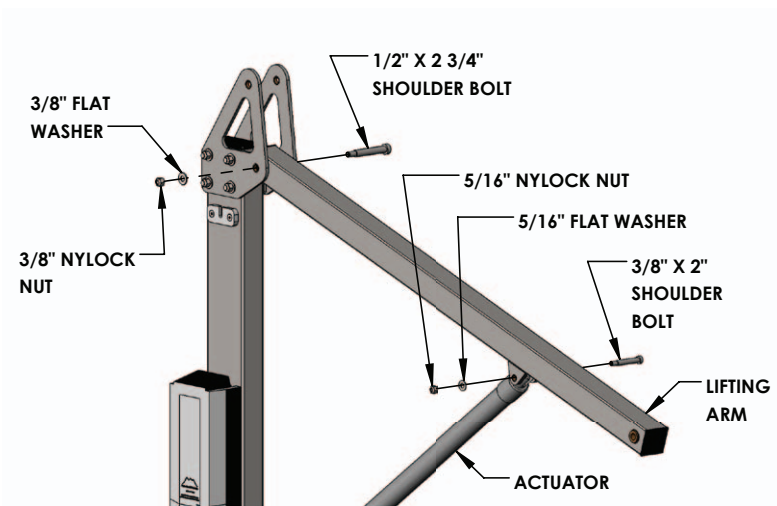
# Revolution Assembly Instructions

## STEP 2: INSTALL LIFTING ARM

Locate the LIFTING ARM and the following hardware:

- (1) 1/2" x 2-3/4" SHOULDER BOLT
- (1) 3/8" x 2" SHOULDER BOLT
- (1) 5/16" FLAT WASHER
- (1) 5/16" NYLOCK NUT
- (1) 3/8" FLAT WASHER
- (1) 3/8" NYLOCK NUT

Remove the shipping strap and all packing from the LINEAR ACTUATOR. Connect the LIFTING ARM between the MAST and the LINEAR ACTUATOR as shown in the figure below. Make sure the end marked "B" attaches to the mast. Tighten NYLOCK NUTS (2) until snug as shown in PHOTO 2. DO NOT OVERTIGHTEN!



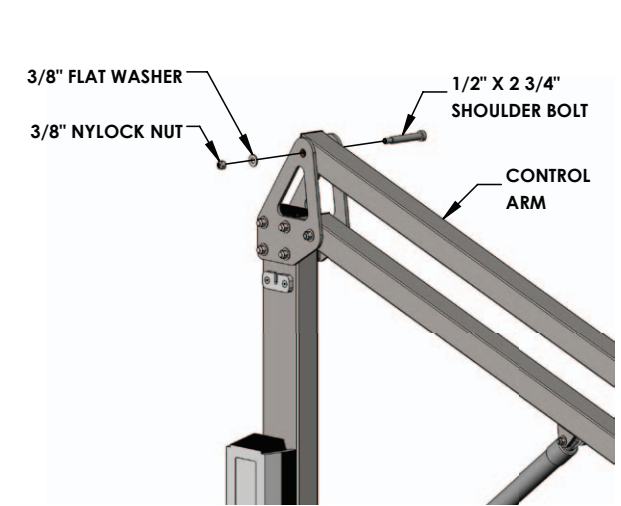
STEP 2

## STEP 3: INSTALL CONTROL ARM

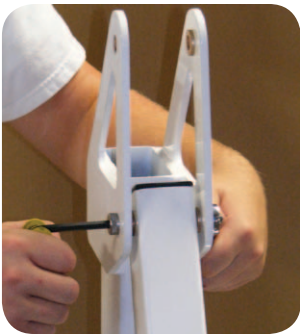
Locate the CONTROL ARM and the following hardware:

- (1) 1/2" x 2-3/4" SHOULDER BOLT
- (1) 3/8" FLAT WASHER
- (1) 3/8" NYLOCK NUT

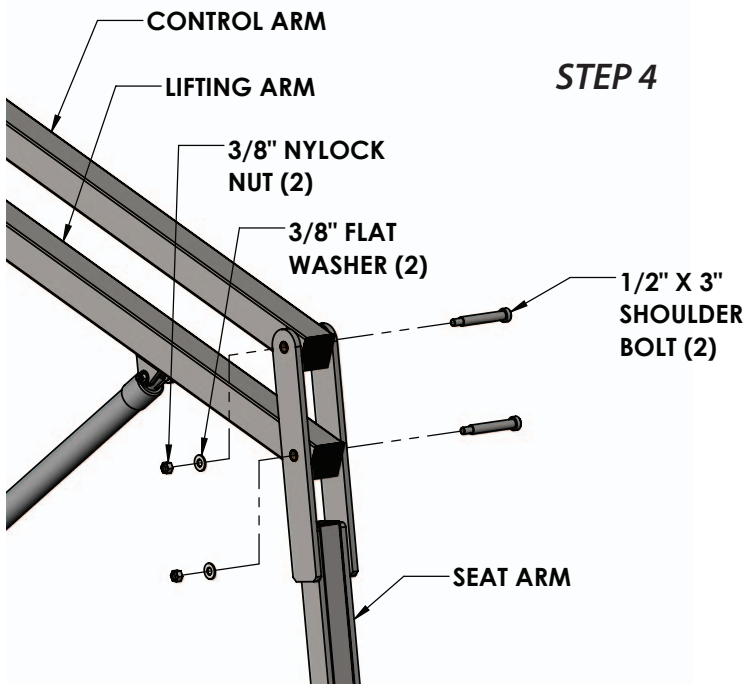
Install the CONTROL ARM (end marked "A") onto the MAST as shown in the figure below. Tighten the NYLOCK NUT until snug as shown in PHOTO 3. DO NOT OVERTIGHTEN!



STEP 3



# Revolution Assembly Instructions



## STEP 4: INSTALL SEAT ARM

Locate the SEAT ARM and the following hardware:

- (2) 1/2" x 3" SHOULDER BOLT
- (2) 3/8" FLAT WASHER
- (2) 3/8" NYLOCK NUT

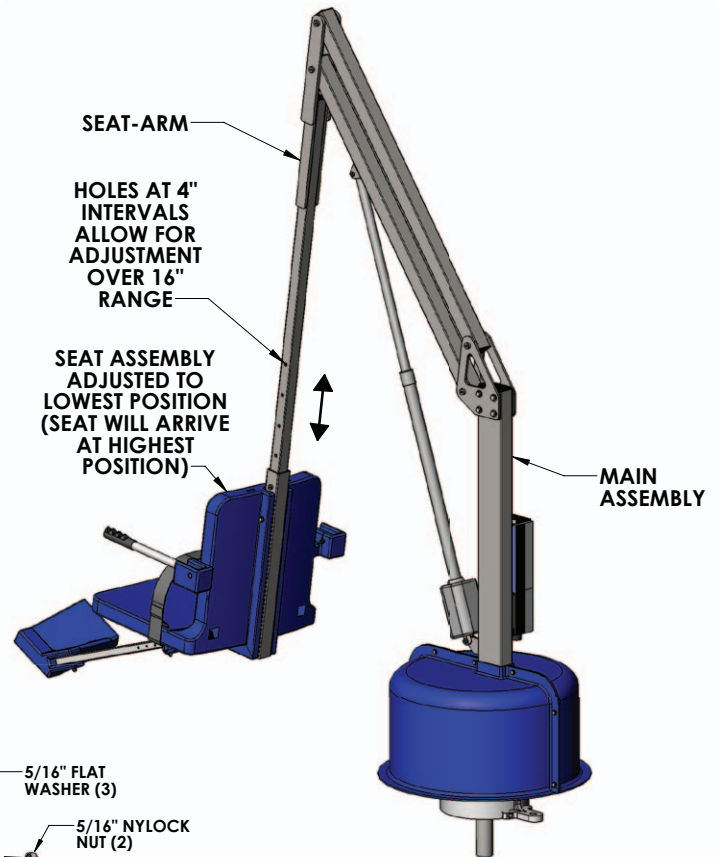
Install the SEAT ARM at the ends of the CONTROL ARM and LIFTING ARM as shown in the figure to the left. Tighten the NYLOCK NUTS until snug as shown in PHOTO 4. **DO NOT OVERTIGHTEN!** (NOTE: MAKE SURE THE SEAT IS FACING AWAY FROM THE MAIN ASSEMBLY)

NOTE: FOR APPLICATIONS THAT UTILIZE MULTIPLE SEAT ARMS (SUCH AS FOR A SLING SEAT OR THE SPA SEAT-ARM) USE THIS STEP TO REMOVE AND REPLACE THE SEAT ARM.

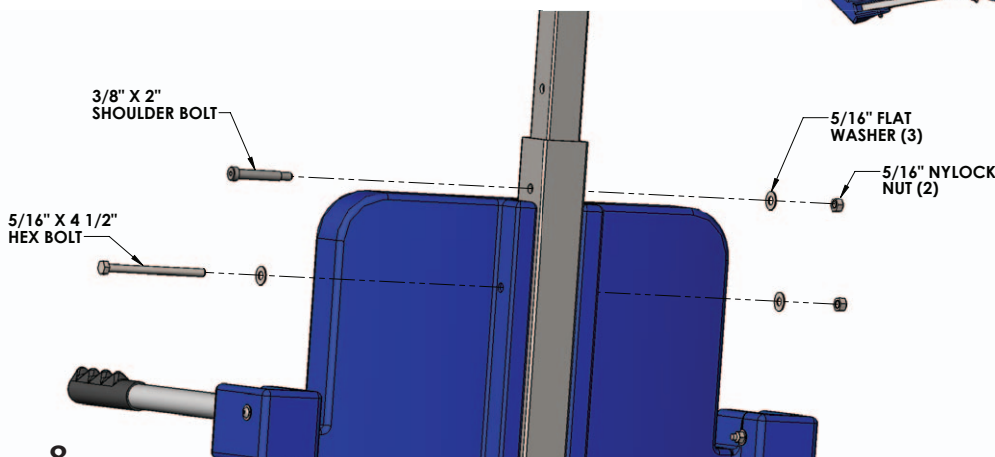
## STEP 5: ADJUST THE SEAT POSITION

The SEAT ASSEMBLY will arrive attached to the SEAT ARM adjusted to its highest position. To adjust the SEAT ASSEMBLY to a lower position remove the hardware as shown below. Slide the SEAT ASSEMBLY to its desired position (in 4 inch increments) and reinstall the hardware. The maximum adjustment is 16 inch (down). **DO NOT ATTACH THE SEAT ASSEMBLY ANY LOWER THAN THIS – ALWAYS USE THE TWO (2) SUPPLIED BOLTS TO ATTACH THE SEAT ASSEMBLY TO THE CHAIR ARM!**

NOTE: For most applications, such as pools with a flat deck, the seat will be installed in its lowest position. For applications where a wall or curb must be cleared the seat should be installed in a higher position. In its highest position the seat will clear a 26 inch [660mm] high wall (with the pull-out legrest).



## STEP 5



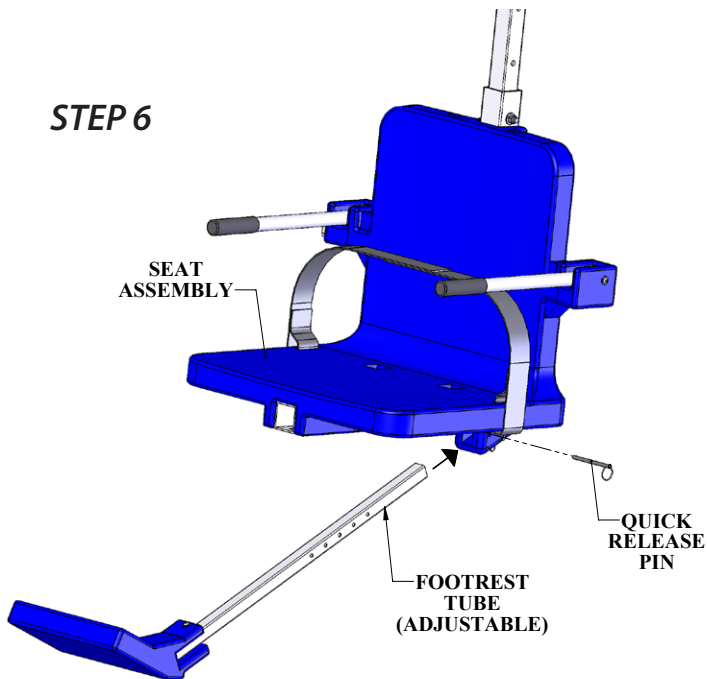
8



# Revolution Assembly Instructions

## STEP 6: INSTALL THE FOOTREST

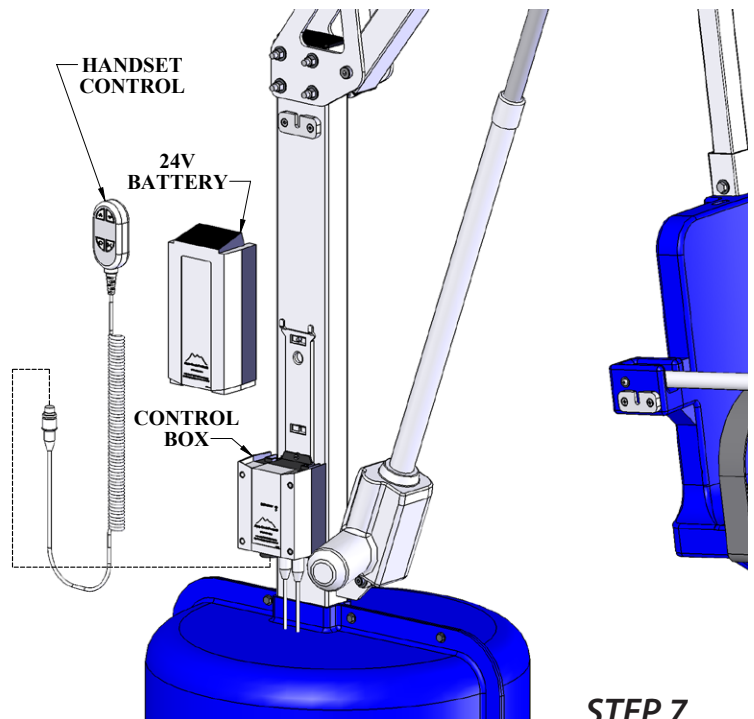
Locate the FOOTREST ASSEMBLY and install it on the seat as shown below. The QUICK RELEASE PIN is attached to the SEAT ASSEMBLY with a lanyard (cable). Pull out the pin and slide the FOOTREST ASSEMBLY into the slot and line up one of the holes on the FOOTREST TUBE with the hole for the pin. Push the pin back into the hole and through the hole in the FOOTREST TUBE to hold the FOOTREST ASSEMBLY in the desired position. To re-adjust the FOOTREST simply pull out the pin and select a new hole on the FOOTREST TUBE.



## STEP 7: INSTALL 24V BATTERY & HANDSET

Locate the 24V battery, the battery charging unit and the handset control. Charge the battery for 24 hours then install it on the bracket above the control box as shown on PHOTO 7. Plug the handset control into the control box as shown in the figure and in the photos below. Press firmly to make sure the plug is fully seated as shown below. THE LIFT WILL NOT FUNCTION IF THE HANDSET PLUG IS NOT FULLY SEATED OR IF THE BATTERY IS NOT PROPERLY ALIGNED.

With the lift completely assembled, run the lift fully out and back in 3-5 times, without weight, for the lifts "break in" cycle period.



Not Seated



Seated



# Basic Troubleshooting

**Problem:** The lift won't move.

## Solution:

### 1. Make sure the battery is properly seated:

You should hear a click when the battery is properly seated on the control box or charger.



**NOT Properly Attached:**  
Note: the white bracket is in front of the silver clip, which will not allow for an electrical connection

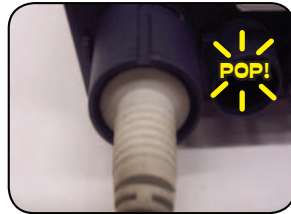


**Properly Attached:**  
Note: the white bracket is behind the silver clip, holding it securely to allow for an electrical connection

### 2. Make sure the cords are properly plugged in:



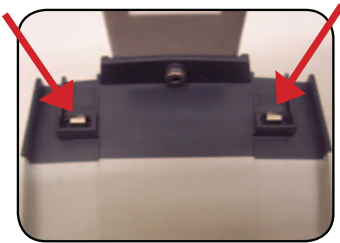
**NOT Properly Inserted:**  
The cord plug is flush with or sticking out of the outlet



**Properly Inserted:**  
The cord plug is recessed into the outlet

Check the ends of the cords for corrosion or damage. The cord plugs should be recessed into the outlet. You should feel them pop into place when they are correctly inserted.

### 3. Check the contact points:



Make sure the contact points of the control box and the battery are not damaged or corroded. If there is corrosion clean with Scotch-Brite™ pad. Put some dielectric grease on the contact points before reattaching the battery.

### 4. Make sure the battery is fully charged:



The Charger is ON when the green light is glowing  
The Battery is CHARGING when the orange light is glowing  
When the Battery is charged the orange light will stop glowing

**Problem:** The lift stopped moving over the water and is stuck.

## Solution:

### 1. Press the emergency button

Use a pen or pencil tip and stick it into the emergency button on the front of the control box to retract the lift.

Note: the lift will not retract if the battery is not fully charged or if the control box is not working. The emergency button only overrides the remote handset.



**FOR TROUBLESHOOTING ASSISTANCE**



# Pinch Point Locations



# Proper Care of Pool & Spa Lifts

PROCEDURE	BEFORE EACH USE	DAILY	WEEKLY	MONTHLY
Check battery level indicator on control box	✓			
Run the lift through a complete test cycle (fully extend actuator) to verify it is functioning properly	✓			
Wash lift with fresh water and dry with clean, soft, non-abrasive cloth		✓		
Recharge battery		✓		
Visually inspect lift for damage, corrosion, and loose or missing hardware		✓		
Check all contact points for damage and/or corrosion			✓	
Repair, clean and apply dielectric grease to all contact points			✓	
Thoroughly clean lift frame and apply a liberal coat of car wax to maintain the lift's finish				✓
Check all Warning and Cautionary labels to make sure they are not faded or worn. Replace as needed.				✓

## PROPER CARE NOTES

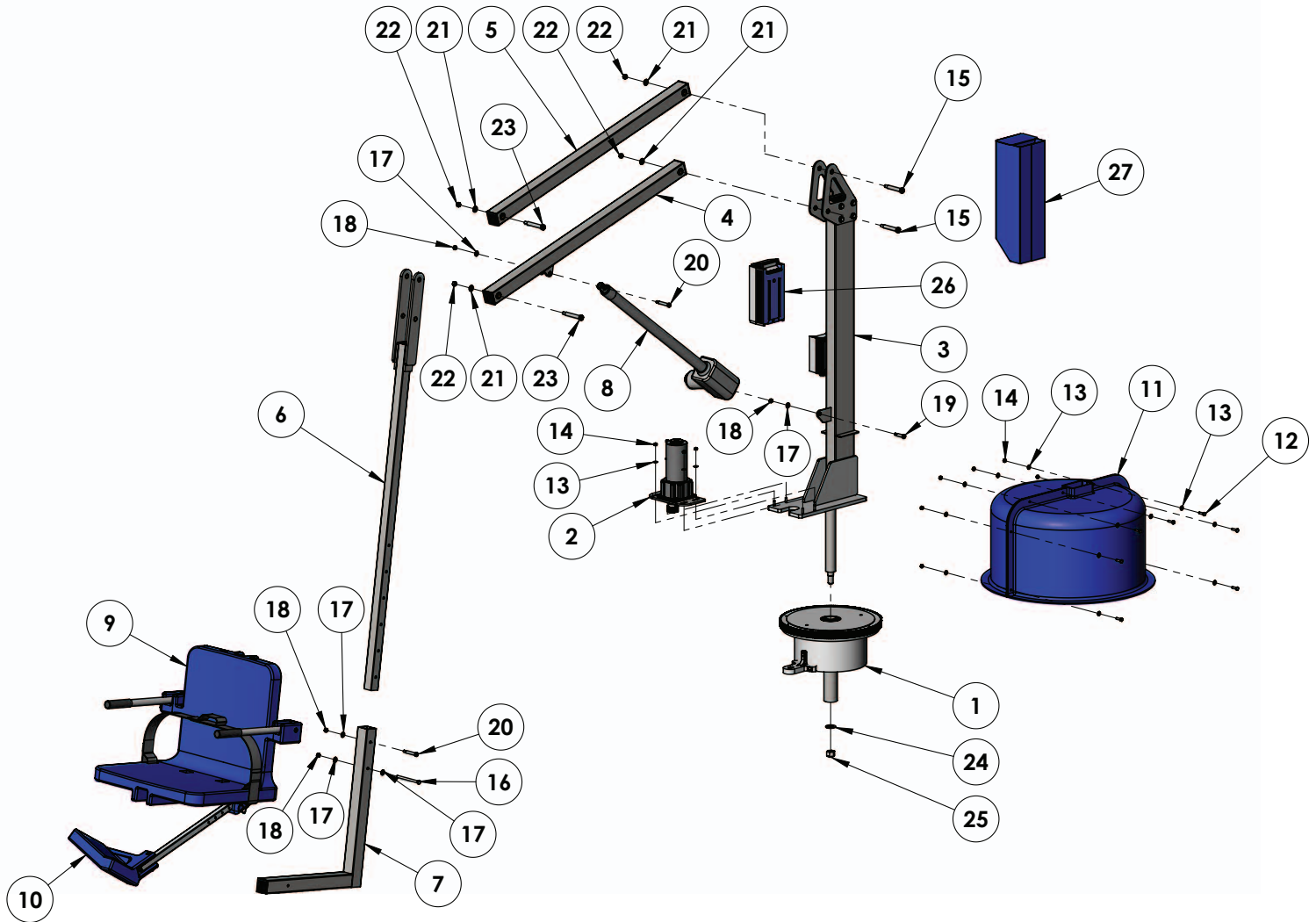
- **Use only fresh water to wash your lift. Do not wash with pool water.**
- Use only clean, soft, non-abrasive cloths on your lift.
- Do not store lift in pump room or near chemicals.
- Do not allow children to play on or around this lift.
- When cleaning the lift, do not spray water directly on control box or battery.
- The lift may need to be bonded according to local code requirements.

## STAIN REMOVAL TIPS:

*To remove stubborn stains from finish, spray affected area with mild dish soap, rub briskly with a 3M Scotch Brite™ pad. Use white epoxy paint to touch up the finish. Apply wax to protect when dry.*

For service and/or replacement parts, contact Aqua Creek Products  
Toll free: (888) 687-3552

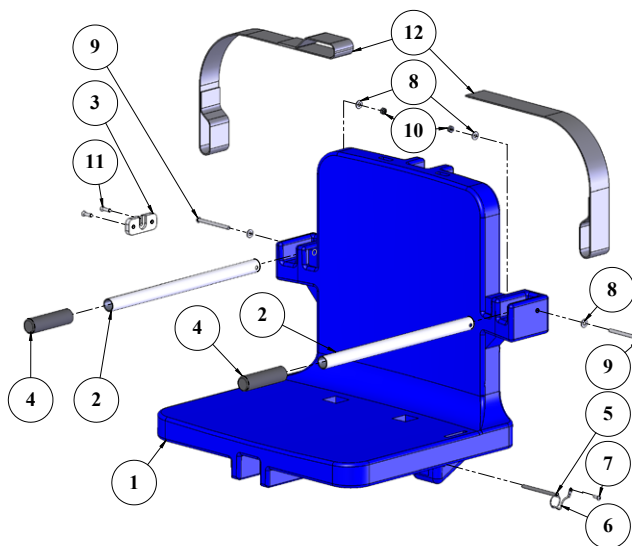
# Revolution Parts List



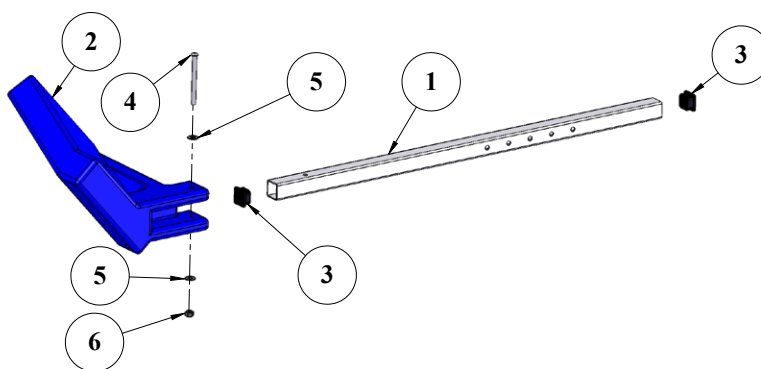
ITEM #	QTY	PART #	DESCRIPTION
1	1	REV-200-96	BASE ASSEMBLY
2	1	REV-300-40	ROTATE MOTOR ASSEMBLY
3	1	REV-400-71	MAST ASSEMBLY
4	1	REV-500-10	LIFTING ARM ASSEMBLY
5	1	REV-600-10	CONTROL ARM ASSEMBLY
6	1	REV-700-31	CHAIR ARM ASSEMBLY
7	1	REV-800-20	CHAIR CRADLE ASSEMBLY
8	1	340643-00	LINAK, 600MM ACTUATOR
9	1	SA-0904WDCAB	22" WIDE SEAT ASSEMBLY
10	1	F-0904FRA	FOOTREST ASSEMBLY
11	1	P-931	BLUE PLASTIC SHROUD
12	7	BH 1/4 X 1	BOLT, 316 SS, 1/4-20 X 1 HCS
13	18	WF 1/4	WASHER, FLAT, 1/4, 316 SS
14	11	NN 1/4	NUT, 316 SS, NYLOCK, 1/4-20
15	2	BS 1/2 X 2 3/4 18-8	BOLT, 18-8 SS, 1/2 X 2 3/4 SHOULDER, 3/8-16 THREAD

ITEM #	QTY	PART #	DESCRIPTION
16	1	BH 5/16 X 4 1/2	BOLT, 316 SS, 5/16-18 X 4 1/2 HCS
17	5	WF 5/16	WASHER, FLAT, 5/16, 316 SS
18	4	NN 5/16	NUT, 316 SS, NYLOCK, 5/16-18
19	1	BS 3/8 X 1 1/4 18-8	BOLT, 18-8 SS, 3/8 X 1 1/4 SHOULDER, 5/16-18 THREAD
20	2	BS 3/8 X 2 18-8	BOLT, 18-8 SS, 3/8 X 2 SHOULDER, 5/16-18 THREAD
21	4	WF 3/8	WASHER, FLAT, 3/8, 316 SS
22	4	NN 3/8	NUT, 316 SS, NYLOCK, 3/8-16
23	2	BS 1/2 X 3 18-8	BOLT, 18-8 SS, 1/2 X 3 SHOULDER, 3/8-16 THREAD
24	1	WFC 3/4	WASHER, FLAT, 3/4, 304 SS, CUSTOM
25	1	NN 3/4	NUT, 316 SS, NYLOCK, 3/4-10
26	1	BAJ1-U022-00	24 VOLT LINAK BATTERY
27	1	F-UBC	BATTERY/CONTROL BOX COVER

# Chair & Footrest Parts List



ITEM #	QTY	PART #	DESCRIPTION
1	1	P-905B	CHAIR, PLASTIC, 22", BLUE
2	2	P-2100FLA-38	CHAIR II ARMREST TUBE
3	1	P-1208HSB	BRACKET, PLASTIC, HANDSET BRACKET
4	2	RUBBER HAND GRIPS	GRIP, RUBBER HAND GRIP
5	1	COTTER PIN, 1/4 X 3 1/4	PIN, COTTERLESS PIN, 18-8 SS, 1/4 X 3 3/4
6	4	LANYARD	LANYARD, FOR FOOTREST PIN, SS
7	1	SPH 10 X 3/4	SCREW, 316 SS, #10 X 3/4", PHSMS
8	4	WF 1/4	WASHER, FLAT, 1/4, 316 SS
9	2	BB 1/4 X 3-1/4	BOLT, 316 SS, 1/4-20 X 3 1/4 BHSCS
10	2	NN 1/4	NUT, 316 SS, NYLOCK, 1/4"-20
11	2	SFL 12 X 3/4	SCREW, 316 SS, #12 X 3/4 FHSMS
12	1	F-38SB	SEAT BELT, 2" BLACK W/VELCRO



ITEM #	QTY	PART #	DESCRIPTION
1	1	P-2035LEG REV B	LEG/FOOTREST TUBE
2	1	P-910PL	FOOTREST, PLASTIC, BLUE
3	2	SQR-1-14-20	CAP, PLASTIC, 1"X1" SQUARE
4	1	BB 1/4 X 3	BOLT, 316 SS, 1/4-20 X 3 BHSCS
5	2	WF 1/4	WASHER, FLAT, 1/4, 316 SS
6	1	NN 1/4	NUT, 316 SS, NYLOCK, 1/4"-20

## **AQUA CREEK PRODUCTS, LLC LIMITED FIVE (5) YEAR WARRANTY:** **REVOLUTION POOL LIFT**

(ITEM #'s F-700RL, F-702RLNA, F-702RLNA-DD, F-702RLNA-SPA, F-702RLSDD, F-704RL-SS)

Aqua Creek Products, LLC (a.k.a. Aqua Creek) warrants to the original end user purchaser that products manufactured by Aqua Creek, when properly installed in accordance with assembly and installation instructions, and properly used and maintained, shall be free from defects in material and workmanship for a period of **five (5) years from the date of original purchase**, provided that Aqua Creek receives prompt notice in writing of any defect or failure and satisfactory proof thereof, with the following exception(s):

### **Exceptions:**

- All electrical components, including the linear actuator shall have the following warranty period:
  - Year 1-2: 100% Coverage
  - Year 3: 60% Coverage (Customer is responsible for 40% of replacement cost)
  - Year 4: 50% Coverage (Customer is responsible for 50% of replacement cost)
  - Year 5: 40% Coverage (Customer is responsible for 60% of replacement cost)
- Hydraulic actuators and mesh slings shall have a warranty period of **one (1) year from the date of original purchase**.
- Powder coat finish scratches, scrapes, corrosion, or dents from customers normal use, negligence, or abuse

This warranty specifically excludes reimbursement for labor to remove, repair, or install the product and any shipping charges. These warranties do not cover any damages due to accident, force majeure, act of nature, misuse, abuse, negligence or failure to properly maintain any products, or normal wear and tear from day to day operations. In the event that any products are altered, repaired, or improperly installed or improperly used by anyone without the prior written approval by Aqua Creek, all warranties are void. **IMPORTANT: AMOUNT OF WEIGHT PLACED ON LIFT SHALL NOT EXCEED THE RATED LIFTING CAPACITY FOR THE LIFT. NEVER OPERATE THE LIFT UNDER LOAD IN A DRY POOL (WITH NO WATER IN THE POOL).** It is the responsibility of the lift owner to verify the weight of the patron for warranty claim purposes and to ensure that the lift is not overloaded. Non-payment for product to Aqua Creek may void warranty.

To initiate a warranty claim, the owner of an Aqua Creek product must provide the place of purchase, in writing, with a full description of the product, its serial number, the dates of purchase and installation, and the exact nature of the defect. Within thirty (30) days after receipt of a written warranty claim by Aqua Creek, and barring any unforeseen delays, the place of purchase will be notified of Aqua Creek's decision regarding the claim.

If requested by Aqua Creek, any defective product must be returned, freight prepaid by customer, to Aqua Creek's designated factory location or duly appointed distributor for inspection and/or repair. Aqua Creek will, at its option, repair or replace the failed or defective item, and deliver the repaired product or replacement to the customer. All freight charges are the responsibility of the customer. Products returned to Aqua Creek for which Aqua Creek provides replacement under this limited warranty shall become the property of Aqua Creek. A new warranty period shall **NOT** be established for the repaired or replaced products. Such products shall remain under warranty only for the remainder of the original warranty period on the original products purchased.

This written limited warranty constitutes the final, complete and exclusive statement of warranty terms. No person or organization is authorized to make any other specific or implied warranties or representations on behalf of Aqua Creek.

**THE WARRANTIES SET FORTH HEREIN ARE IN LIEU OF ALL OTHER WARRANTIES, EXPRESSED OR IMPLIED, WHICH ARE HEREBY DISCLAIMED AND EXCLUDED, INCLUDING WITHOUT LIMITATION ANY WARRANTY OF MERCHANTABILITY OR FITNESS FOR A PARTICULAR PURPOSE OR USE.**

**THE SOLE AND EXCLUSIVE REMEDIES FOR BREACH OF ANY AND ALL WARRANTIES WITH RESPECT TO THE PRODUCTS SHALL BE LIMITED TO REPAIR OR REPLACEMENT AT AQUA CREEK'S DESIGNATED FACTORY LOCATION, OR DULY APPOINTED DISTRIBUTOR, OR IN PLACE AT AQUA CREEK'S OPTION. IN NO EVENT SHALL AQUA CREEK'S LIABILITY EXCEED THE ENTIRE AMOUNT PAID TO AQUA CREEK BY THE ORIGINAL PURCHASER FOR THE FAILED OR DEFECTIVE PRODUCT.**

**IN NO EVENT SHALL AQUA CREEK PRODUCTS, LLC BE LIABLE FOR ANY INCIDENTAL, CONSEQUENTIAL, SPECIAL, INDIRECT, PUNITIVE OR EXEMPLARY DAMAGES OR LOST PROFITS FROM ANY BREACH OF THIS LIMITED WARRANTY OR OTHERWISE.**

**THIS WARRANTY GIVES YOU SPECIFIC LEGAL RIGHTS AND YOU MAY ALSO HAVE OTHER RIGHTS, WHICH MAY VARY FROM STATE TO STATE. SOME STATES DO NOT ALLOW THE EXCLUSION OR LIMITATION OF INCIDENTAL, SPECIAL OR CONSEQUENTIAL DAMAGES, SO SOME OF THE ABOVE LIMITATIONS OR EXCLUSIONS MAY NOT APPLY TO YOU.**

Aqua Creek Products, LLC  
9889 Garrymore Lane  
Missoula, MT 59808  
Toll Free: (888) 687-3552  
Local/Intnl: (406) 549-0769  
[www.aquacreek.com](http://www.aquacreek.com)



# Aqua Creek Products

THE LEADERS IN RECREATION, FITNESS, AND ABILITY!



+1-406-549-0769 | 888-687-3552

sales@aquacreek.com | www.aquacreek.com

# ROTATIONAL LIFT ACCESSORIES

## COVERS

- F-450BL-C** Scout 2 Lockable Cover, Blue
- F-450BL-CT** Scout 2 Lockable Cover, Tan
- F-450SSC** Scout 2 Cover, Blue  
(use with Solar Charger)
- F-450SSC-T** Scout 2 Cover, Tan  
(use with Solar Charger)
- F-720BL-C** Revolution/Titan Lockable Cover, Blue
- F-720BL-CT** Revolution/Titan Lockable Cover, Tan
- F-720SSC** Revolution/Titan Cover, Blue  
(use with Solar Charger)
- F-720SSC-T** Revolution/Titan Cover, Tan  
(use with Solar Charger)
- F-450SLEC** Spa Lift Elite Lockable Cover
- F-450SLECS** Spa Lift Elite Cover  
(use with Solar Charger)
- F-450SLUC** Spa Lift Ultra Lockable Cover
- F-450SLUCS** Spa Lift Ultra Cover  
(use with Solar Charger)
- F-UBC** Electronics Cover, Blue  
Scout, Rev, Titan, Power EZ 2
- F-BCC-11T** Electronics Cover, Tan  
Scout, Rev, Titan, Power EZ 2

## TRANSPORT CARTS

- F-814SCTC** Scout 2
- F-714RTC** Revolution

## ACCESSORIES & OPTIONS

- F-019CA** Cycle Attachment
- F-105LAR** Pull-Out Legrest
- F-422PLH-2** Headrest
- F-423CS** Chest Strap
- F-38SB** Seat Belt, Standard
- F-806SLS** Sling Seat Assembly, Scout 2  
(Sling included)
- F-705-S3** Wheelchair Assy Option\*  
(Wheelchair not included)
- F-734RSA** Spineboard Assy Option\*  
(Blue Spineboard & Head Immobilizer)
- F-730RSA-S2** Gurney Assy Option\*  
(Gurney included)
- F-760RLSS** Sling Seat Assembly Option for Revolution Lift  
(Sling included)

\*For Revolution Only

## SOLAR CHARGERS

- F-045SCH** Scout 2 | Revolution | Titan Elite | Ultra

