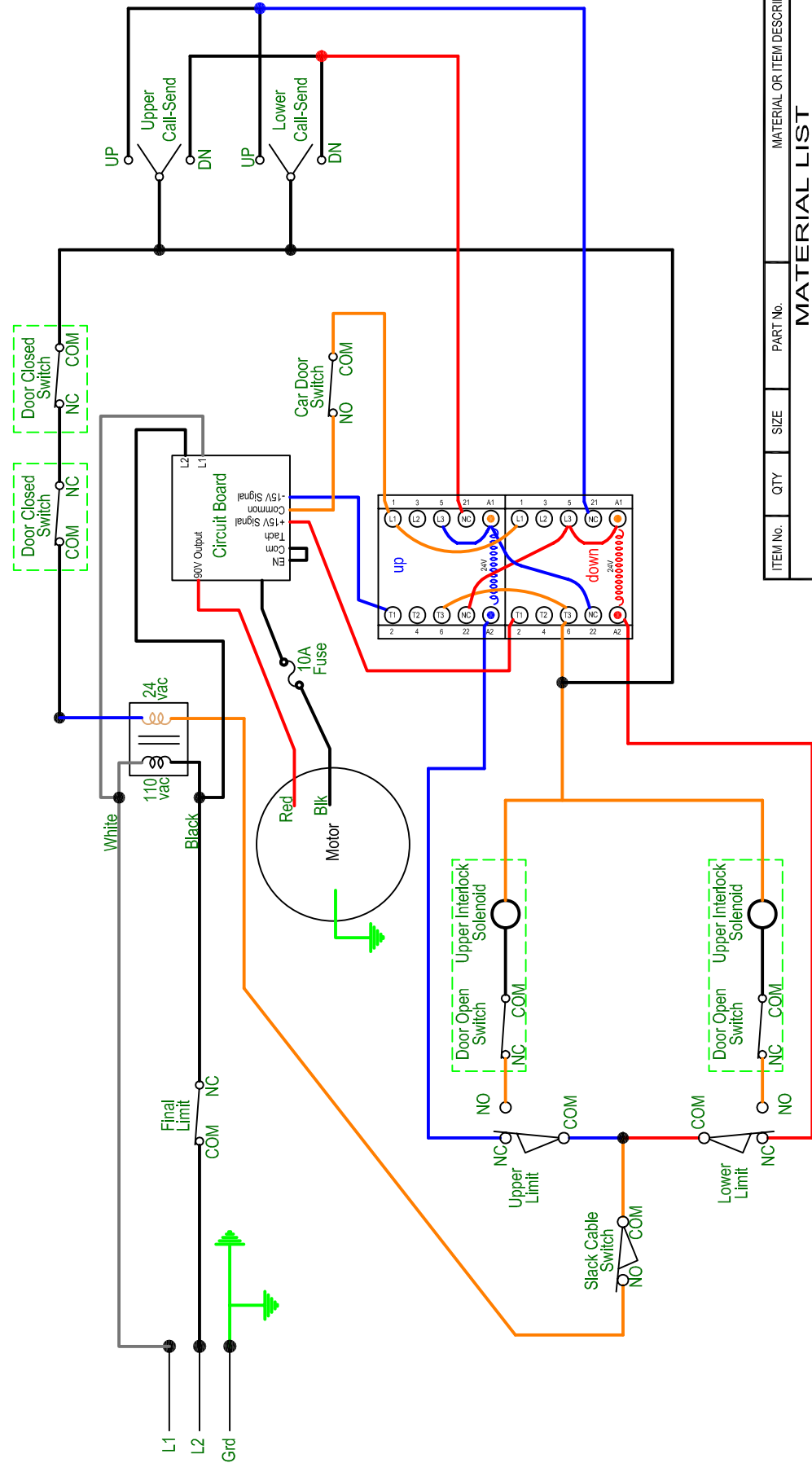


REV. <b>C</b>	E.C.N.	REVISION DESCRIPTION	BY <b>JB</b>	DATE <b>01/30/06</b>
		<b>Moved Limit Switches to opposite side of Coil</b>		



ITEM No.	QTY	SIZE	PART No.	MATERIAL OR ITEM DESCRIPTION
<b>MATERIAL LIST</b>				
TOLERANCE UNLESS NOTED				
X	±.06			
XX	±.03			
.XXX	±.010			
HOLES	±.005			
ANGLES	±1°			
CHECKED BY				
CHECK DATE:				
APP. BY:				
APP. DATE:				
PRODUCT: <b>AmeriGlide Express</b>		TITLE: <b>Wiring Diagram, EMI Interlocks</b>		
DRAWN: <b>JB</b>	SCALE: <b>NTS</b>	DATE: <b>10/19/05</b>	SIZE: <b>B</b>	
LAST PLOT: <b>7-Feb-06</b>	REVISION: <b>C</b>	CAD FILE NAME: <b>25412</b>		

--- Inside Interlock

For Units Shipped after 02/01/06