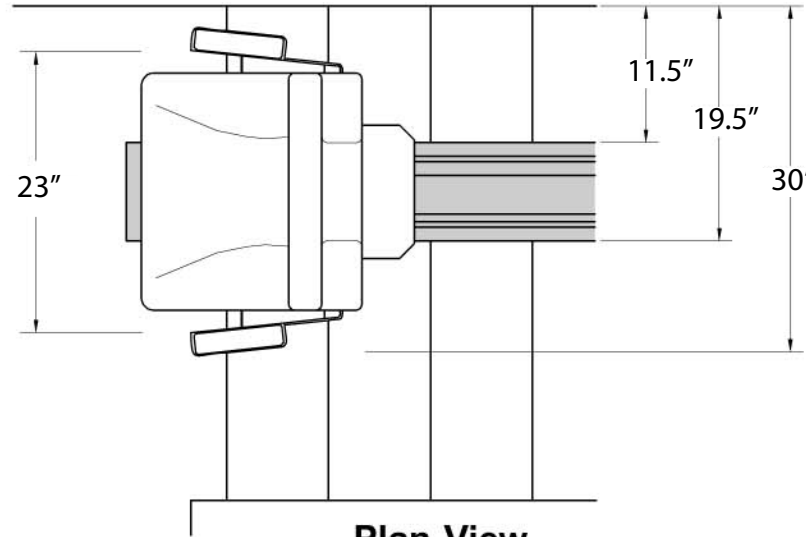


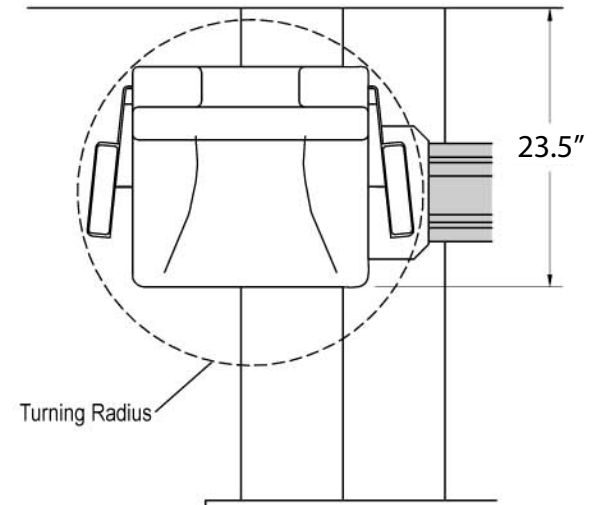


SPECIFICATIONS

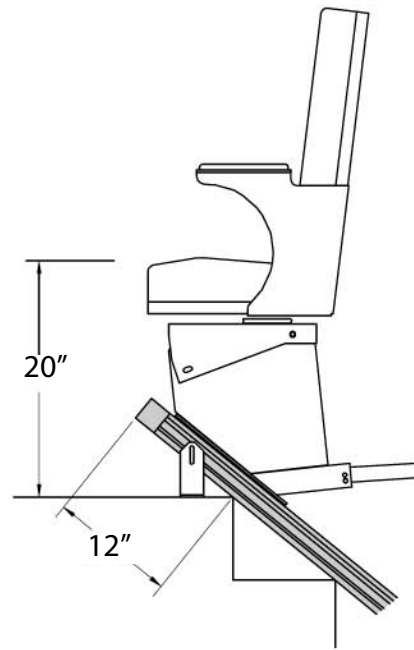
- Rated Load:** 500 lbs.
- Travel:** 20' max.
- Power Supply:** 115 VAC, 60 Hz grounded outlet
- Incline Limits:** 30° to 45°
- Drive System:** 3/16" galvanized aircraft cable on winding drum
- Controls:** Hand-held constant pressure up-down switch on chair and wall mounted controls at top and bottom landings
- Track:** Extruded aluminum
- Motor:** 1/2 hp, 90 VDC
- Unit Finish:** Off white powder coating
- Upholstery:** Mocha, Evergreen, Light Almond
- Safety Devices:**
 - Slack cable brake
 - Swivel seat cut-off
 - Final limit
 - Seat belt
- Warranty:** 2 years



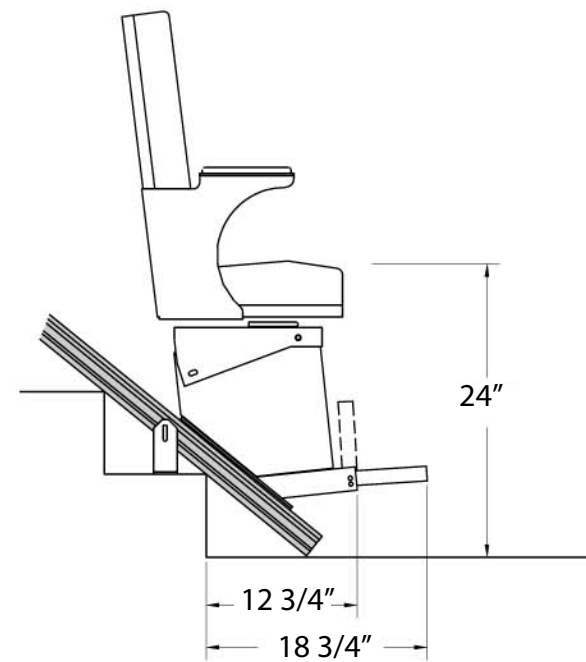
Plan View
Seat shown Swiveled



Plan View
Seat shown in Parked Position



Top Landing
Seat shown Swiveled



Bottom Landing