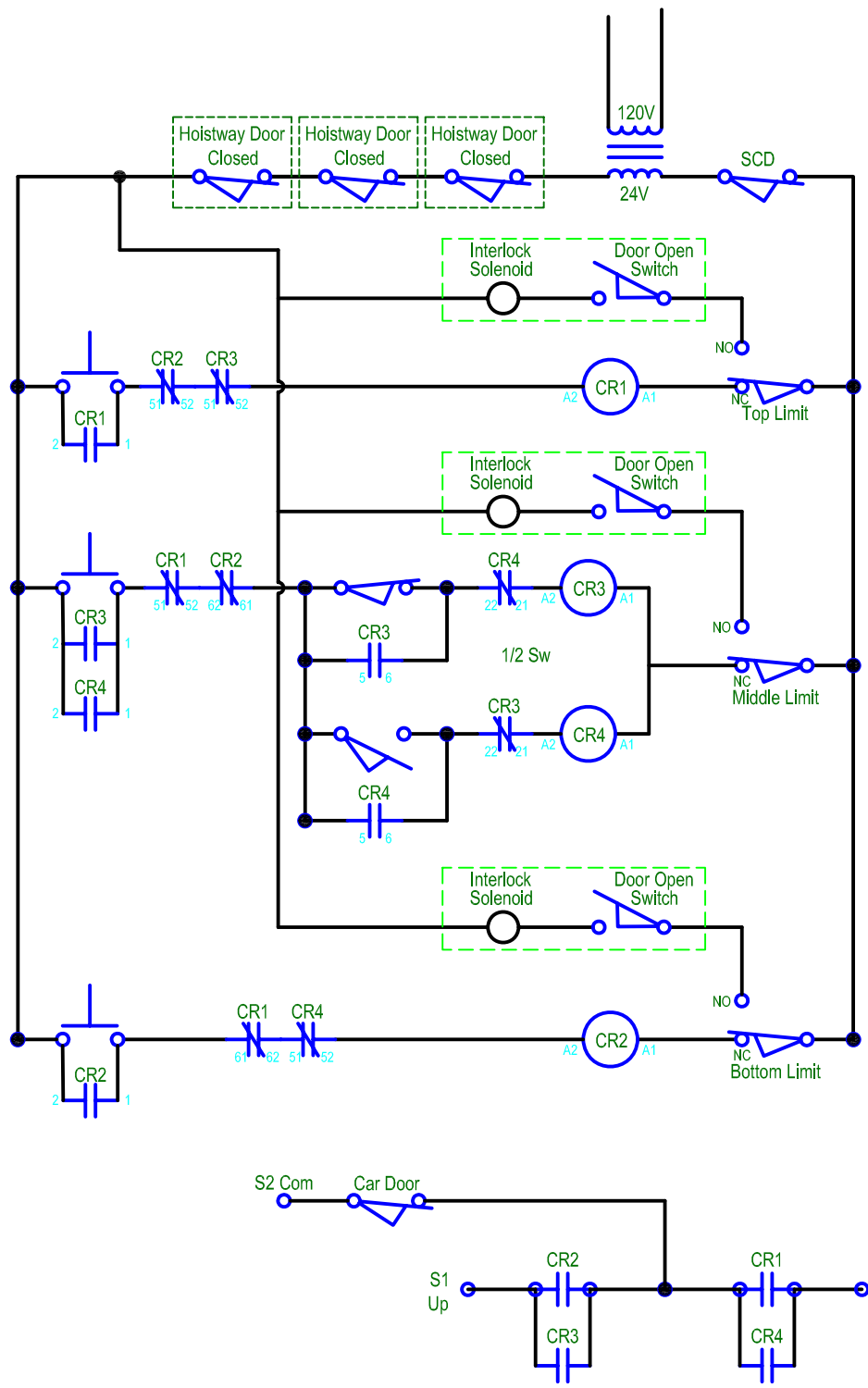


DATE

BY

REVISION DESCRIPTION

REV. E.C.N.



Inside Interlock

ITEM No.	QTY	SIZE	PART No.	MATERIAL OR ITEM DESCRIPTION
MATERIAL LIST				
TOLERANCE UNLESS NOTED				
.X		±.06		
.XX		±.03		
.XXX		±.010		
HOLE		±.005		
ANGLE		±1°		
CHECKED BY				
CHECK DATE				
APP. BY				
APP. DATE				
PRODUCT: AmeriGlide Express				
TITLE: Ladder Diagram, 3-Stop				
DRAWN: JB	SCALE: NTS	DATE: 02/07/06	SIZE: B	
LAST PLOT: 2-Mar-06				CAD FILE NAME: 25416
REVISION: A				
This drawing is furnished only for informational purposes on a confidential basis, and neither the drawing or items thereon are to be reproduced or used in any manner not authorized.				