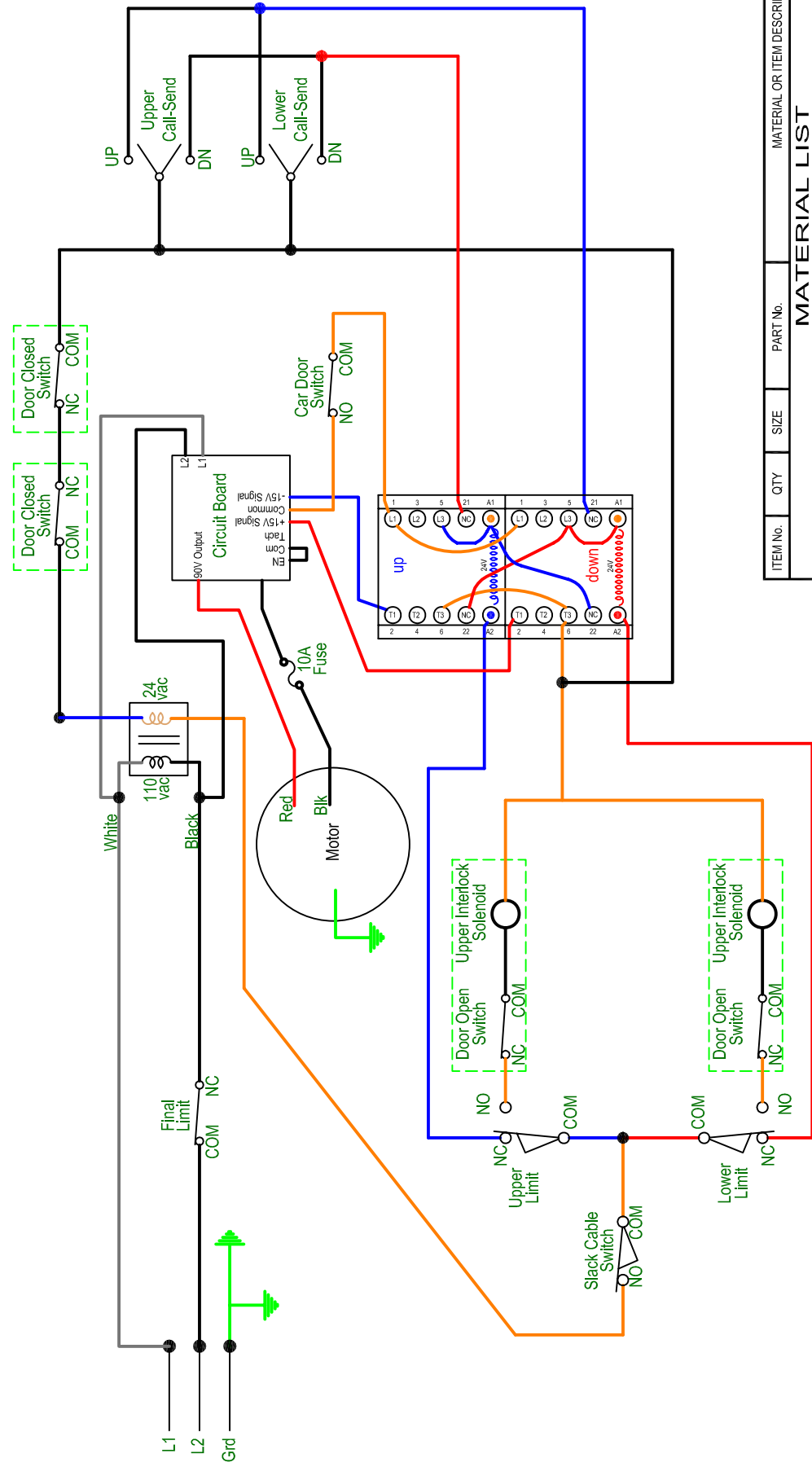


|               |        |  |              |                      |
|---------------|--------|--|--------------|----------------------|
| REV. <b>C</b> | E.C.N. | REVISION DESCRIPTION                                 | BY <b>JB</b> | DATE <b>01/30/06</b> |
|               |        | <b>Moved Limit Switches to opposite side of Coil</b> |              |                      |



| ITEM No.                                     | QTY               | SIZE                  | PART No.           | MATERIAL OR ITEM DESCRIPTION |
|--|-------------------|-----------------------|--------------------|------------------------------|
| <b>MATERIAL LIST</b>                         |                   |                       |                    |                              |
| TOLERANCE UNLESS NOTED                       |                   |                       |                    |                              |
| X  | ±.06              |                       |                    |                              |
| XX   | ±.03              |                       |                    |                              |
| .XXX   | ±.010             |                       |                    |                              |
| HOLES  | ±.005             |                       |                    |                              |
| ANGLES                                       | ±1°               |                       |                    |                              |
| CHECKED BY                                   |                   |                       |                    |                              |
| CHECK DATE                                   |                   |                       |                    |                              |
| APP. BY                                      |                   |                       |                    |                              |
| APP. DATE                                    |                   |                       |                    |                              |
| <b>AmeriGlide EXPRESS</b>                    |                   |                       |                    |                              |
| PRODUCT: <b>Summit Ascent</b>                |                   |                       |                    |                              |
| TITLE: <b>Wiring Diagram, EMI Interlocks</b> |                   |                       |                    |                              |
| DRAWN: <b>JB</b>                             | SCALE: <b>NTS</b> | DATE: <b>10/19/05</b> | SIZE: <b>B</b>     |                              |
| LAST PLOT: <b>7-Feb-06</b>                   |                   |                       | REVISION: <b>C</b> | CAD FILE NAME: <b>25412</b>  |

--- Inside Interlock

For Units Shipped after 02/01/06

This drawing is furnished only for informational purposes on a confidential basis, and neither the drawing or items thereon are to be reproduced or used in any manner not authorized.